

Technical Data Sheet



Catalog No. K1XGF16-0.75

Characteristics	
Phase	1
KVA	0.75
Primary	120X240V
Secondary	16/32V
Conductor	Copper
Temp. Rise	115° C
Frequency	60 HZ
Taps	None
ESS	No
Insulation	180° C
Weathershield	N/A
Wall Bracket	Built-In
Weight(lbs)	25
Sound(dB)	40

Notes

All units are UL listed and are designed in accordance with applicable NEMA, ANSI and IEEE standards.

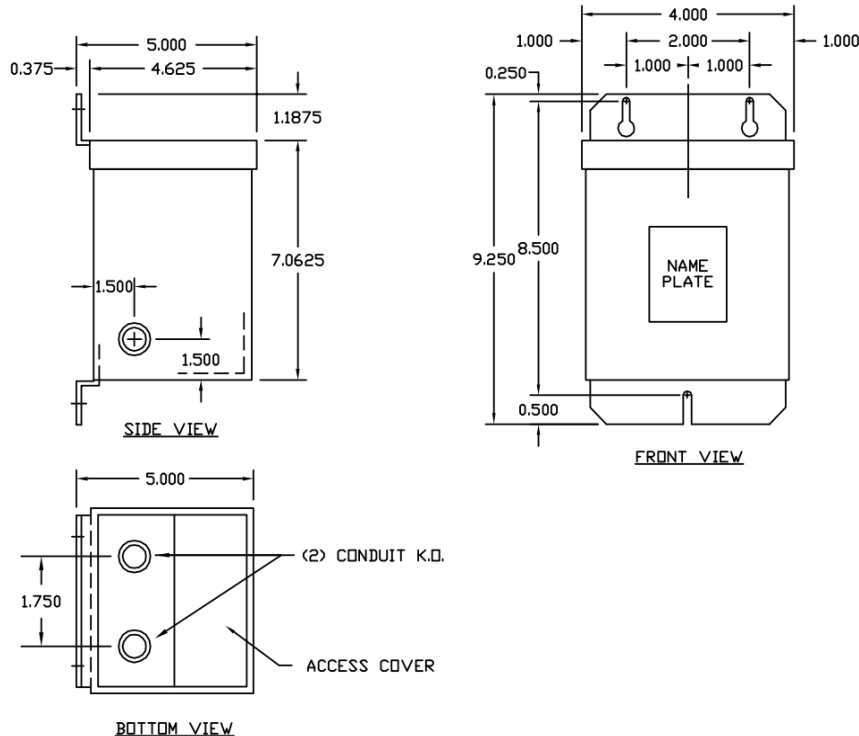
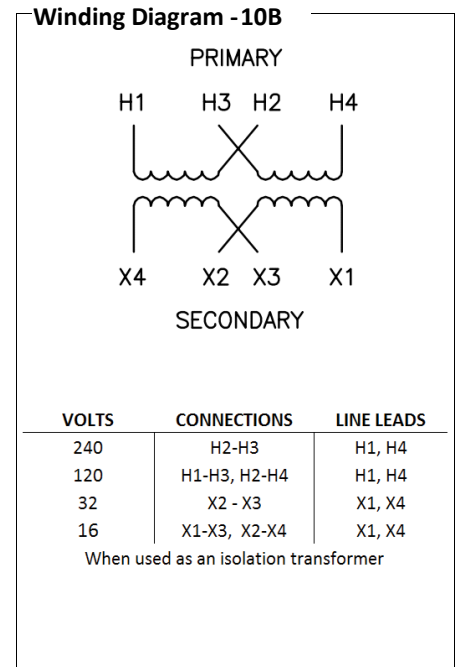
Transformers are dry-type AA, non-ventilated NEMA 3R enclosure.

Transformers are wall mounted. Wall mounting bracket is built into the enclosure.

Paint color is ANSI 61.

AMP Ratings

Line In (Load) @ 120V	6.3A
Line In (Load) @ 240V	3.1A
Load (Secondary) @ 16V	46.9A
Load (Secondary) @ 32V	23.4A



Outline No: 05A1462