

# Technical Data Sheet



## Catalog No. N24CF2Y-6

Characteristics	
Phase	3
KVA	6
Primary	240Δ
Secondary	208Y/120
Conductor	Copper
Temp. Rise	115° C
Frequency	60 HZ
Taps	-2@5%
ESS	Yes
Insulation	180° C
Weathershield	N/A
Wall Bracket	Built-In
Weight (lbs)	225
Sound(dB)	40

**Notes**

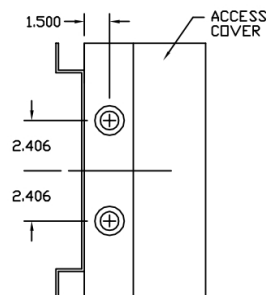
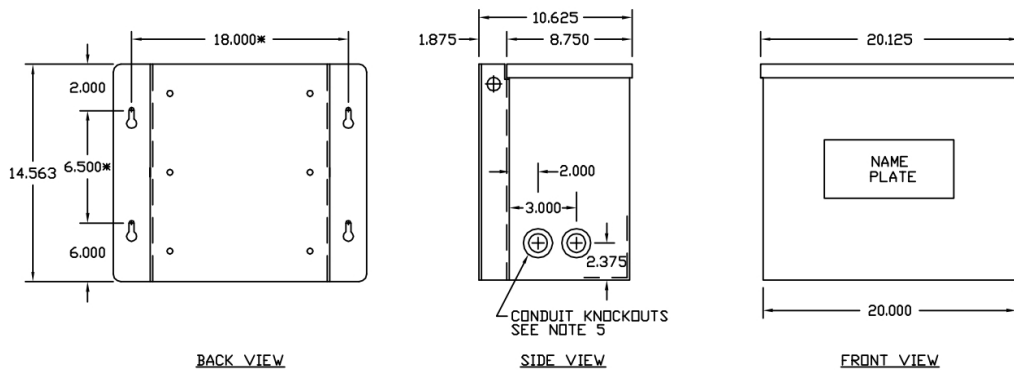
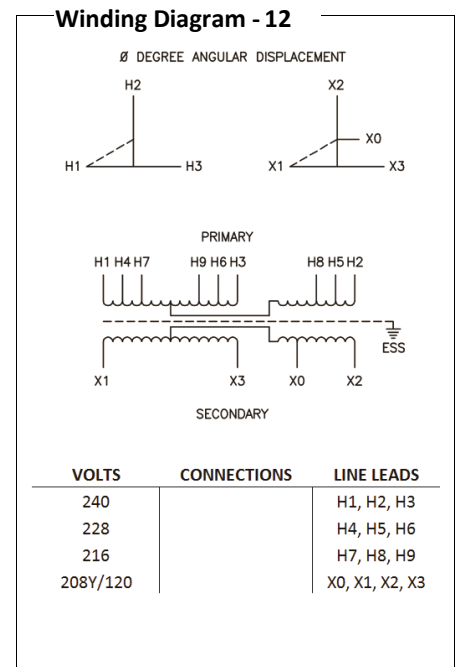
All units are UL listed and are designed in accordance with applicable NEMA, ANSI and IEEE standards.

Transformers are dry-type AA, non-ventilated NEMA 3R enclosure

Transformers are wall mounted. Wall mounting bracket is built into the enclosure.

Paint color is ANSI 61.

AMP Ratings	
<b>Line In (Primary) @ 240V</b>	14.4 A
<b>Load (Secondary) @ 208V</b>	16.7 A



Outline No: 08A7634