

Technical Data Sheet



Catalog No. N48SF2D-9

| Characteristics | |
|-----------------|----------|
| Phase | 3 |
| KVA | 9 |
| Primary | 480Δ |
| Secondary | 240Δ |
| Conductor | Aluminum |
| Temp. Rise | 115° C |
| Frequency | 60 HZ |
| Taps | -2@5% |
| ESS | Yes |
| Insulation | 180° C |
| Weathershield | N/A |
| Wall Bracket | Built-In |
| Weight (lbs) | 270 |
| Sound(dB) | 40 |

Notes

All units are UL listed and are designed in accordance with applicable NEMA, ANSI and IEEE standards.

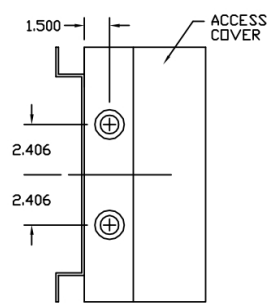
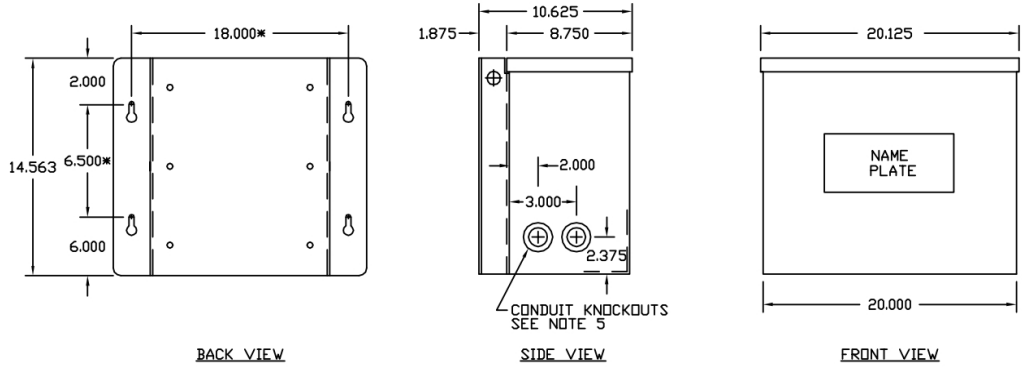
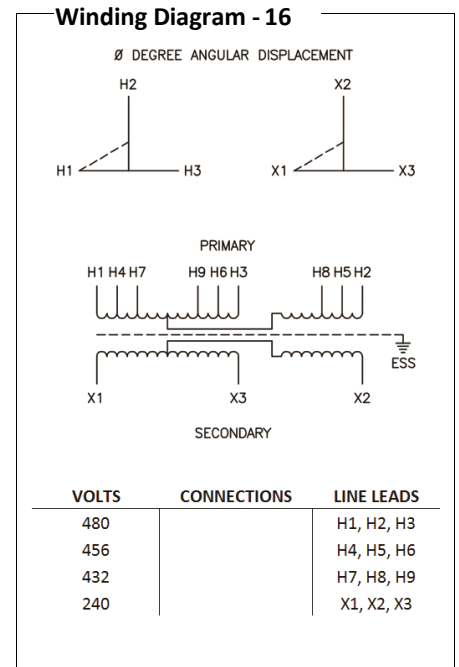
Transformers are dry-type AA, non-ventilated NEMA 3R enclosure

Transformers are wall mounted. Wall mounting bracket is built into the enclosure.

Paint color is ANSI 61.

AMP Ratings

| | |
|---------------------------------|---------------|
| Line In (Primary) @ 480V | 10.8A |
| Load (Secondary) @ 240V | 21.7 A |



Outline No: 08A7634