

Technical Data Sheet



Catalog No. P1XGF21-3

Characteristics	
Phase	1
KVA	3
Primary	120X240V
Secondary	120/240V
Conductor	Copper
Temp. Rise	115° C
Frequency	60 HZ
Taps	None
ESS	No
Insulation	180° C
Weathershield	N/A
Wall Bracket	Built-In
Weight (lbs)	60
Sound (dB)	40

Notes

All units are UL listed and are designed in accordance with applicable NEMA, ANSI and IEEE standards.

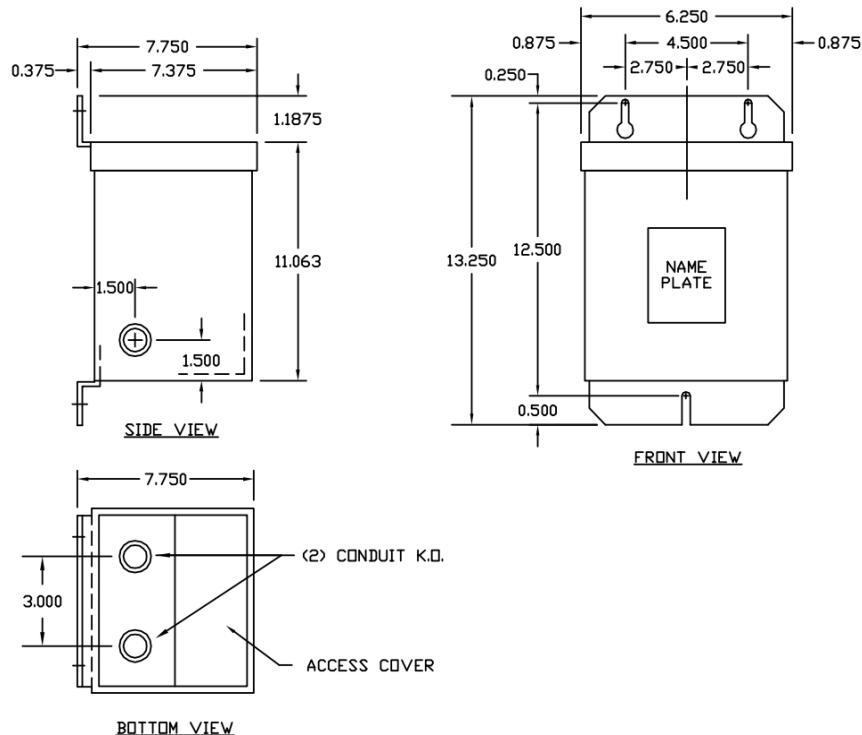
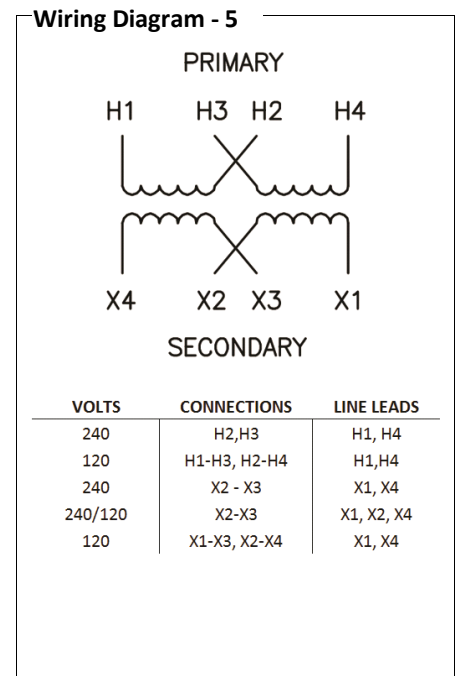
Transformers are dry-type AA, non-ventilated NEMA 3R enclosure.

Transformers are wall mounted. Wall mounting bracket is built into the enclosure.

Paint color is ANSI 61.

AMP Ratings

Line In (Load) @ 120V	25.0A
Line In (Load) @ 240V	12.5A
Load (Secondary) @ 120V	25.0A
Load (Secondary) @ 240V	12.5A



Outline No: 05A1464