

Technical Data Sheet



Catalog No. P2XGF21-2-N

| Characteristics | |
|-----------------|----------|
| Phase | 1 |
| KVA | 2 |
| Primary | 240x480v |
| Secondary | 120/240v |
| Conductor | Copper |
| Temp. Rise | 115° C |
| Frequency | 60 HZ |
| Taps | None |
| ESS | No |
| Insulation | 180° C |
| Weathershield | N/A |
| Wall Bracket | Built-In |
| Weight (lbs) | 50 |
| Sound (dB) | 40 |

Notes

All units are UL listed and are designed in accordance with applicable NEMA, ANSI and IEEE standards.

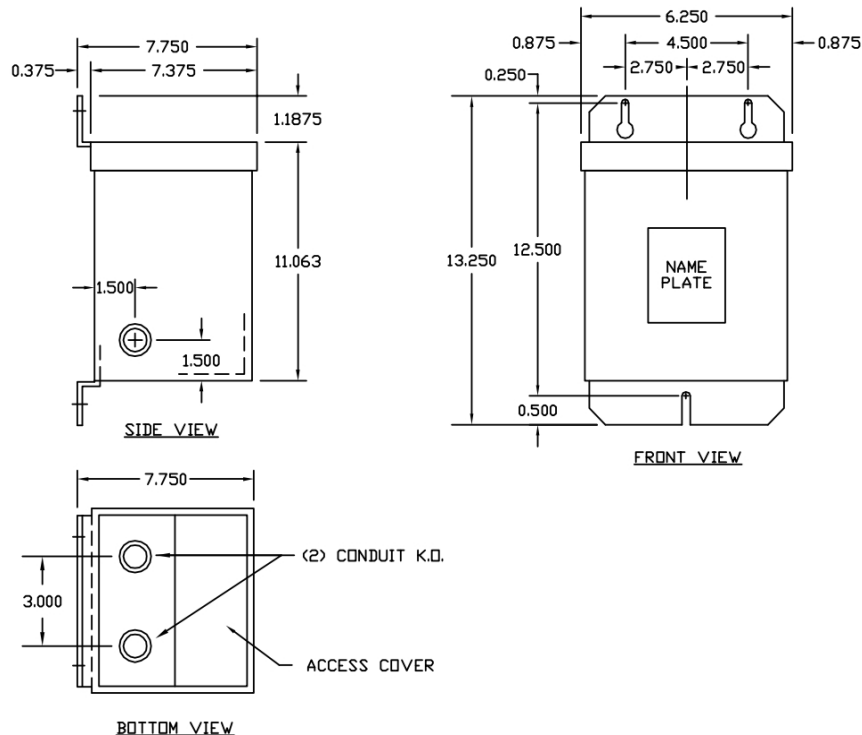
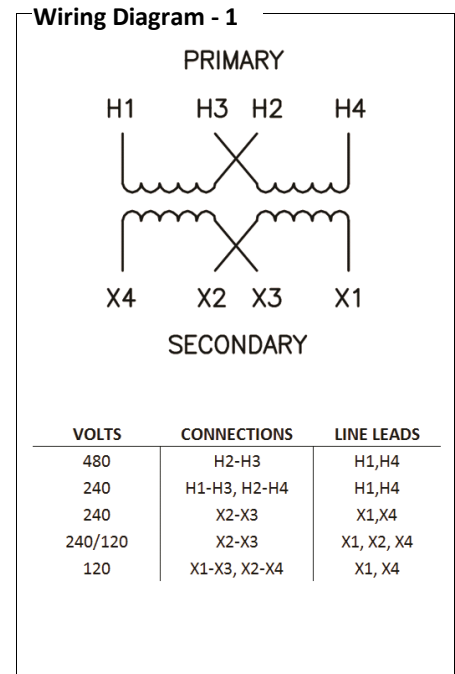
Transformers are dry-type AA, non-ventilated NEMA 3R enclosure.

Transformers are wall mounted. Wall mounting bracket is built into the enclosure.

Paint color is ANSI 61.

AMP Ratings

| | |
|-------------------------|-------|
| Line In (Load) @ 240V | 8.3A |
| Line In (Load) @ 480v | 4.2A |
| Load (Secondary) @ 120V | 16.7A |
| Load (Secondary) @ 240V | 8.3A |



Outline No: 05A1464