

Technical Data Sheet



Catalog No. P60CF21-1.5

| Characteristics | |
|-----------------|----------|
| Phase | 1 |
| KVA | 1.5 |
| Primary | 600V |
| Secondary | 120/240v |
| Conductor | Copper |
| Temp. Rise | 115° C |
| Frequency | 60 HZ |
| Taps | -2@5% |
| ESS | Yes |
| Insulation | 180° C |
| Weathershield | N/A |
| Wall Bracket | Built-In |
| Weight(lbs) | 45 |
| Sound(dB) | 40 |

Notes

All units are UL listed and are designed in accordance with applicable NEMA, ANSI and IEEE standards.

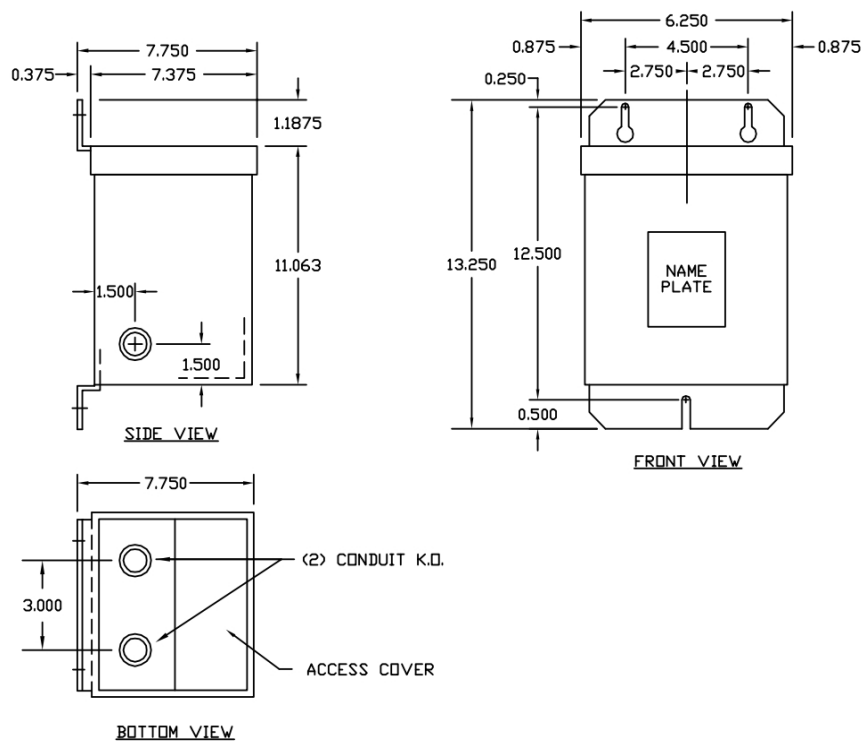
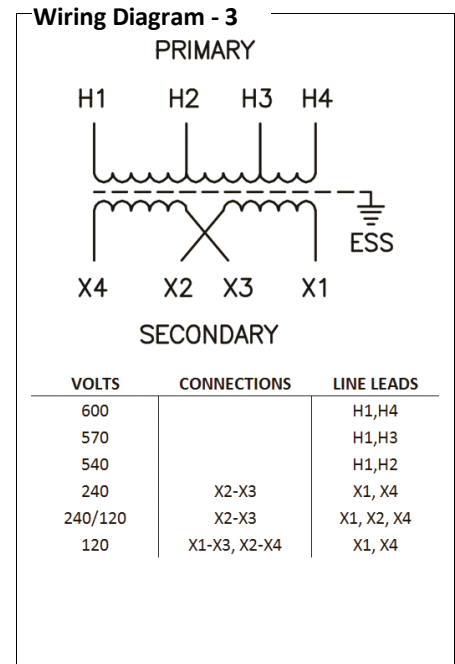
Transformers are dry-type AA, non-ventilated NEMA 3R enclosure.

Transformers are wall mounted. Wall mounting bracket is built into the enclosure.

Paint color is ANSI 61.

AMP Ratings

| | |
|---------------------------------|-------|
| Line In (Primary) @ 600V | 2.5A |
| Load (Secondary) @ 120V | 12.5A |
| Load (Secondary) @ 240v | 6.3A |



Outline No: 05A1464