

Technical Data Sheet

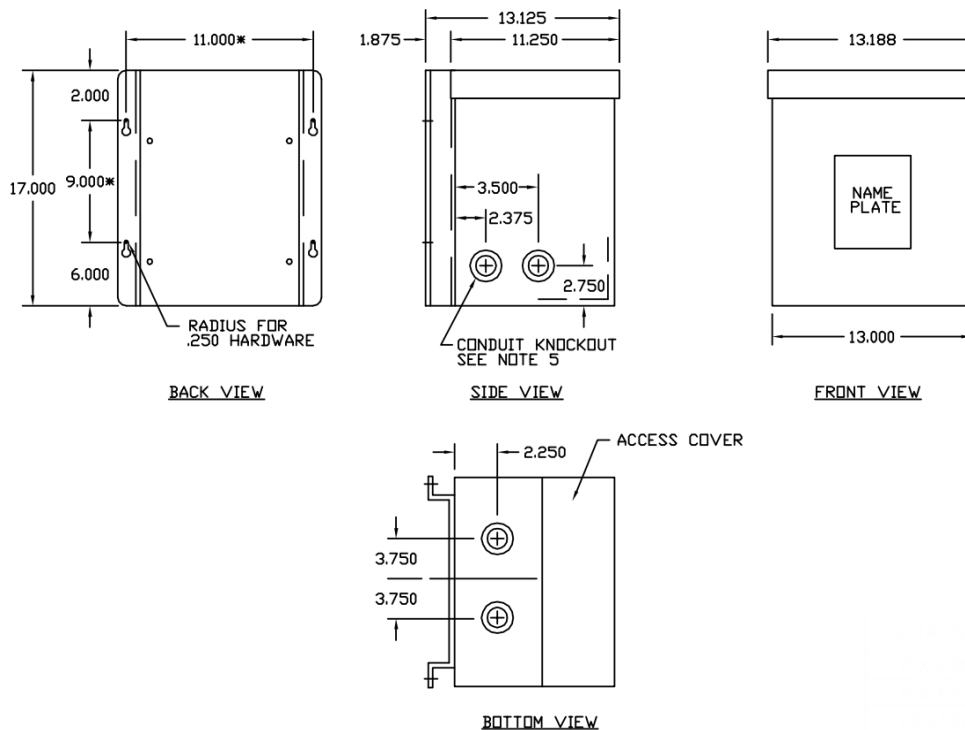
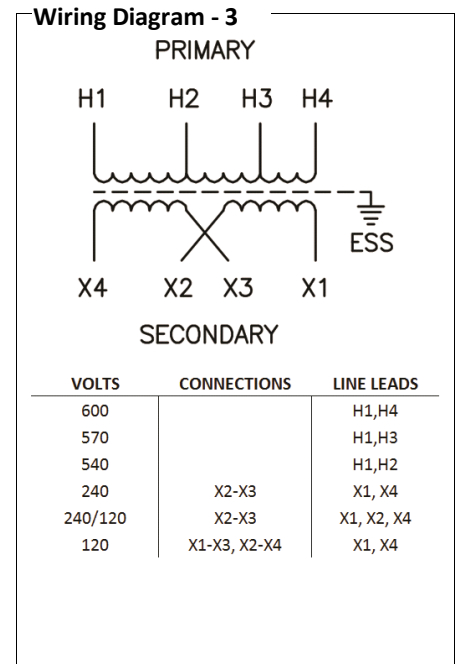


Catalog No. P60SF21-15

Characteristics	
Phase	1
KVA	15
Primary	600V
Secondary	120/240v
Conductor	Aluminum
Temp. Rise	115° C
Frequency	60 HZ
Taps	-2@5%
ESS	Yes
Insulation	180° C
Weathershield	N/A
Wall Bracket	Built-In
Weight(lbs)	270
Sound(dB)	45

Notes	
All units are UL listed and are designed in accordance with applicable NEMA, ANSI and IEEE standards.	
Transformers are dry-type AA, non-ventilated NEMA 3R enclosure.	
Transformers are wall mounted. Wall mounting bracket is built into the enclosure.	
Paint color is ANSI 61.	

AMP Ratings		
Line In (Primary) @ 600V		25.0A
Load (Secondary) @ 120V		125.0A
Load (Secondary) @ 240v		62.5A



Outline No: 05A1466