

Typical Performance Technical Data Sheet

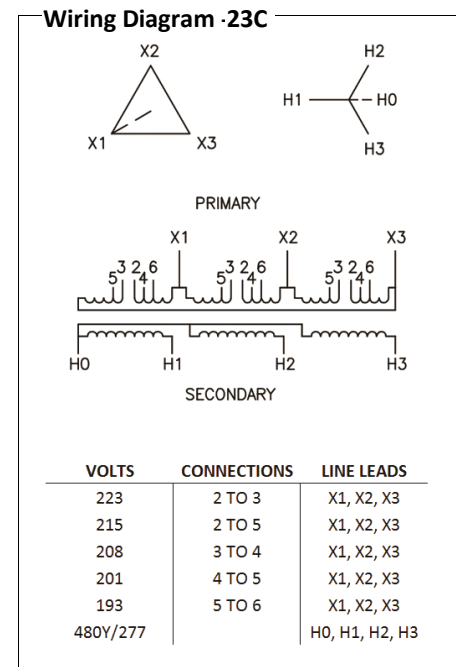


Catalog No. T20LF42-300

| Characteristics | |
|-----------------|---------------|
| Phase | 3 |
| KVA | 300 |
| Primary | 208Δ |
| Secondary | 480Y/277 |
| Conductor | Aluminum |
| Temp. Rise | 115° C |
| Frequency | 60 HZ |
| Taps | +2, -2 x 3.5% |
| ESS | No |
| Insulation | 220° C |
| Weathershield | WS-16 |
| Wall Bracket | NONE |
| Weight (lbs) | 2275 |
| Sound (dB) | 55 |

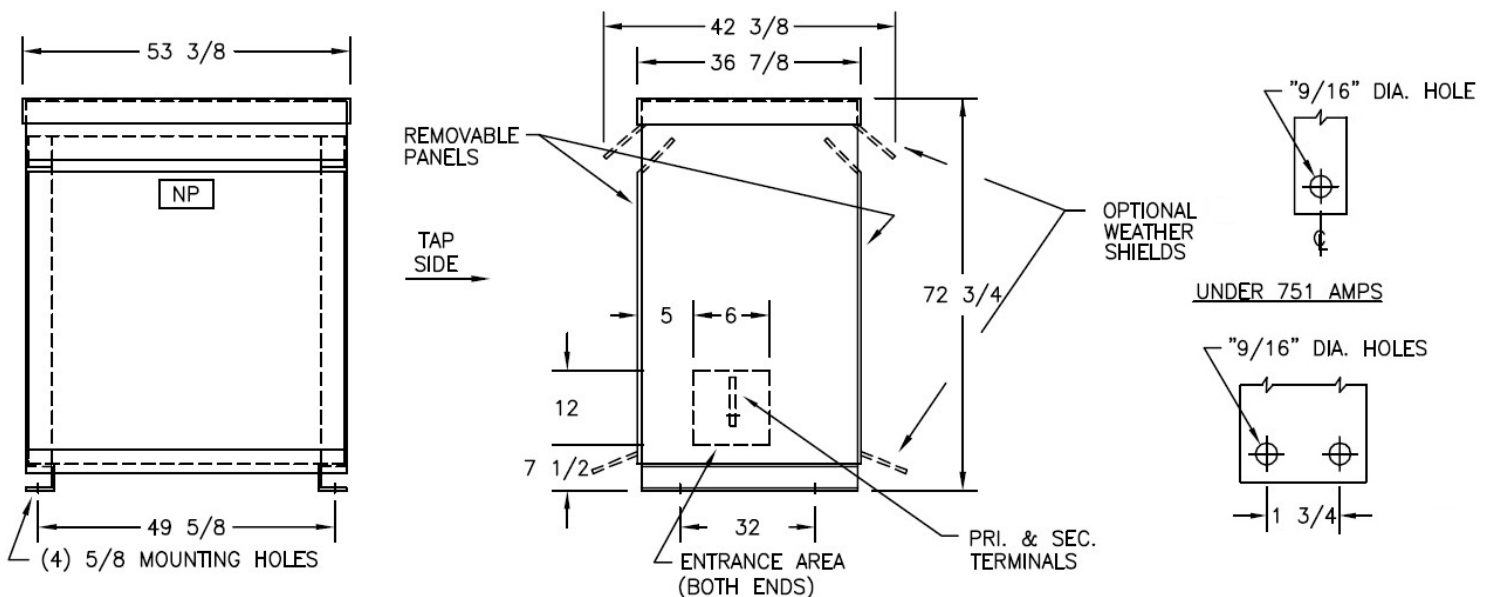
| Typical Performance @ 135° C | |
|------------------------------|-------|
| Regulation @ 100% PF | 1.5% |
| Regulation @ 80% PF | 4.0% |
| Impedance | 4.9% |
| No Load Losses (W) | 527 |
| Full Load Losses (W) | 4,724 |

| AMP Ratings | |
|--------------------------|-------|
| Line In (Primary) @ 208V | 833 A |
| Load (Secondary) @ 480V | 361 A |



Notes

All units are UL listed and are designed in accordance with applicable NEMA, ANSI and IEEE standards. Transformers are dry-type AA, ventilated NEMA 2 enclosure. If a weathershield is indicated above this transformer can be converted to a NEMA 3R enclosure. Transformers are floor mounted. Wall mounting bracket kit if shown above is optional and is supplied as a separate accessory. Paint color is ANSI 61.



Outline No: 08A3309