

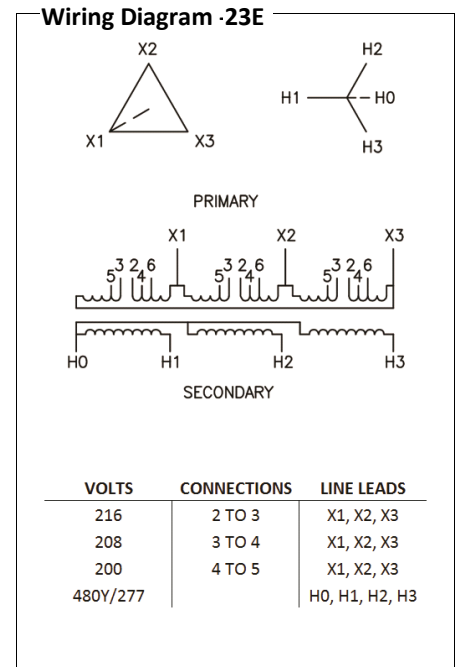
Typical Performance Technical Data Sheet



Catalog No. T20LH42-500

Characteristics	
Phase	3
KVA	500
Primary	208Δ
Secondary	480Y/277
Conductor	Aluminum
Temp. Rise	150° C
Frequency	60 HZ
Taps	+1, -1 x 5%
ESS	No
Insulation	220° C
Weathershield	WS-16
Wall Bracket	NONE
Weight (lbs)	3340
Sound (dB)	60

Typical Performance @ 170° C	
Regulation @ 100% PF	1.4%
Regulation @ 80% PF	4.0%
Impedance	5.1%
No Load Losses (W)	711
Full Load Losses (W)	7,420

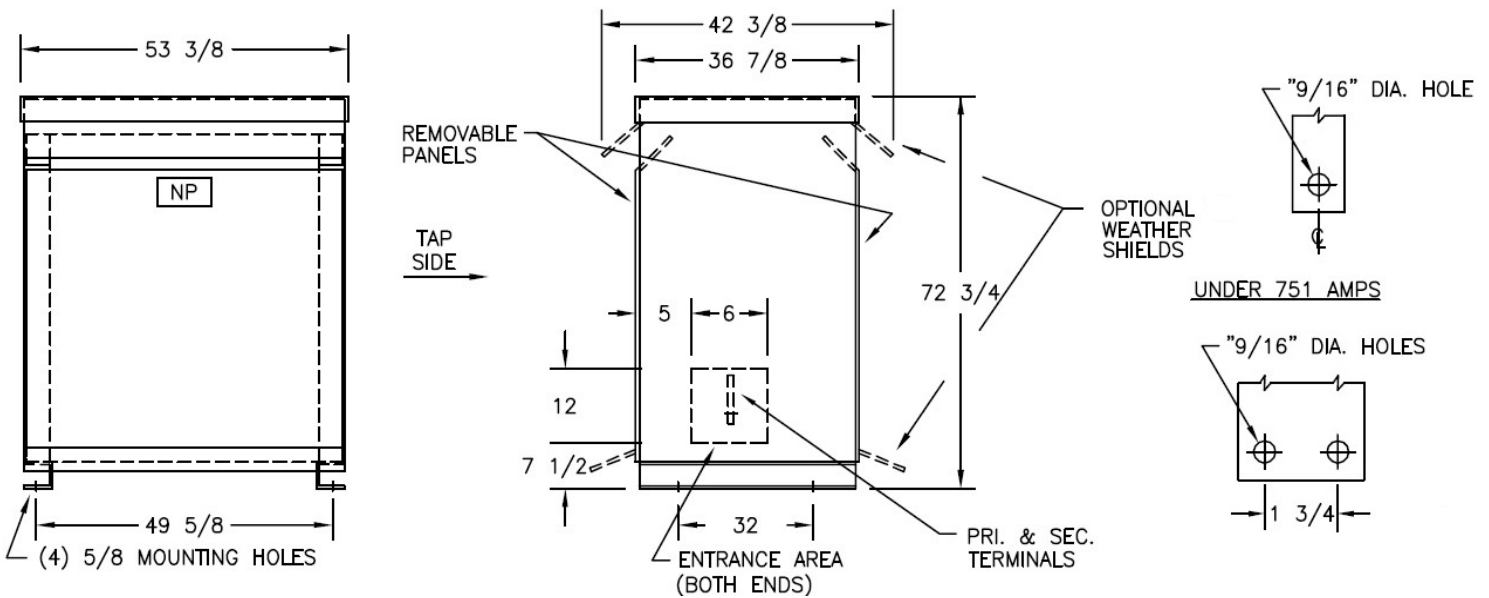


AMP Ratings

Line In (Primary) @ 208V	1,388 A
Load (Secondary) @ 480V	601 A

Notes

All units are UL listed and are designed in accordance with applicable NEMA, ANSI and IEEE standards. Transformers are dry-type AA, ventilated NEMA 2 enclosure. If a weathershield is indicated above this transformer can be converted to a NEMA 3R enclosure. Transformers are floor mounted. Wall mounting bracket kit if shown above is optional and is supplied as a separate accessory. Paint color is ANSI 61.



Outline No: 08A3309