

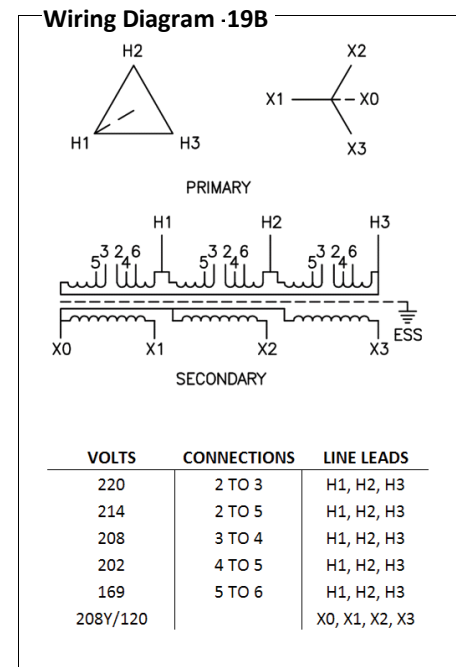
Typical Performance Technical Data Sheet



Catalog No. T20SB2Y-150

Characteristics	
Phase	3
KVA	150
Primary	208Δ
Secondary	208Y/120
Conductor	Aluminum
Temp. Rise	80° C
Frequency	60 HZ
Taps	+2, -2 x 3%
ESS	Yes
Insulation	220° C
Weathershield	WS-12A
Wall Bracket	NONE
Weight (lbs)	1520
Sound (dB)	50

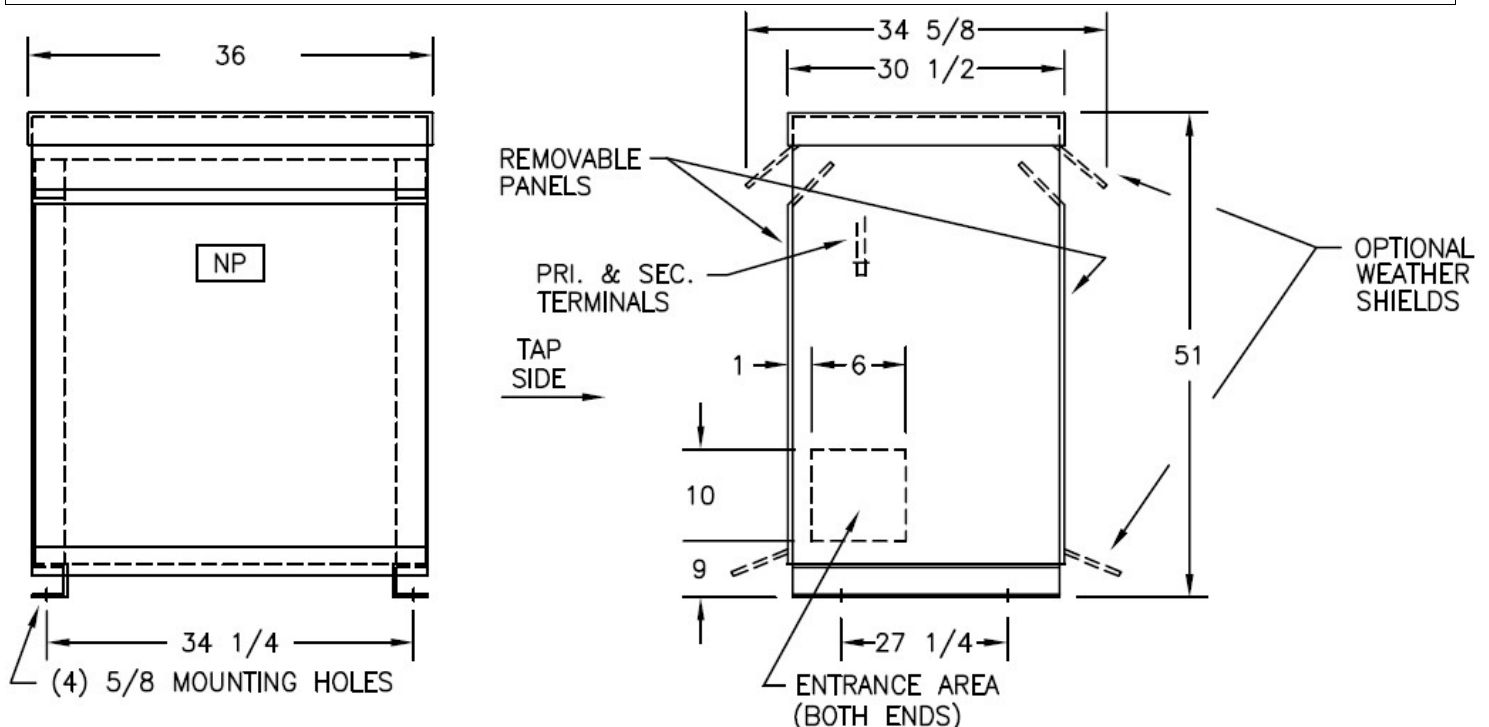
Typical Performance @ 100° C	
Regulation @ 100% PF	1.2%
Regulation @ 80% PF	2.7%
Impedance	3.1%
No Load Losses (W)	352
Full Load Losses (W)	1,791



AMP Ratings	
Line In (Primary) @ 208V	416 A
Load (Secondary) @ 208V	416 A

Notes

All units are UL listed and are designed in accordance with applicable NEMA, ANSI and IEEE standards. Transformers are dry-type AA, ventilated NEMA 2 enclosure. If a weathershield is indicated above this transformer can be converted to a NEMA 3R enclosure. Transformers are floor mounted. Wall mounting bracket kit if shown above is optional and is supplied as a separate accessory. Paint color is ANSI 61.



Outline No: 08A6315