

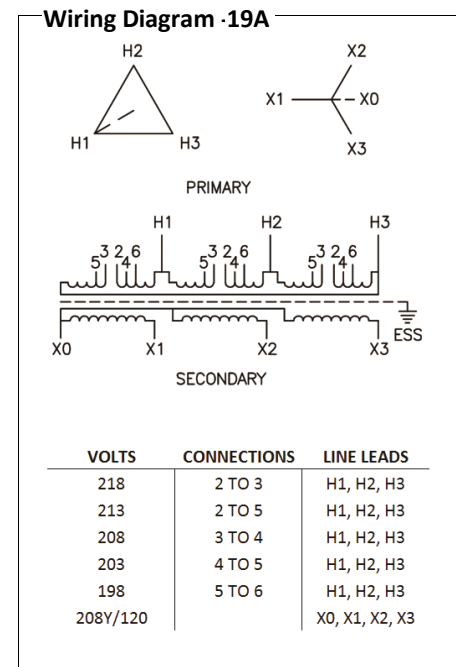
# Typical Performance Technical Data Sheet



Catalog No. T20SH2Y-150

| Characteristics |               |
|-----------------|---------------|
| Phase           | 3             |
| KVA             | 150           |
| Primary         | 208Δ          |
| Secondary       | 208Y/120      |
| Conductor       | Aluminum      |
| Temp. Rise      | 150° C        |
| Frequency       | 60 HZ         |
| Taps            | +2, -2 x 2.5% |
| ESS             | Yes           |
| Insulation      | 220° C        |
| Weathershield   | WS-10B        |
| Wall Bracket    | NONE          |
| Weight (lbs)    | 1205          |
| Sound (dB)      | 50            |

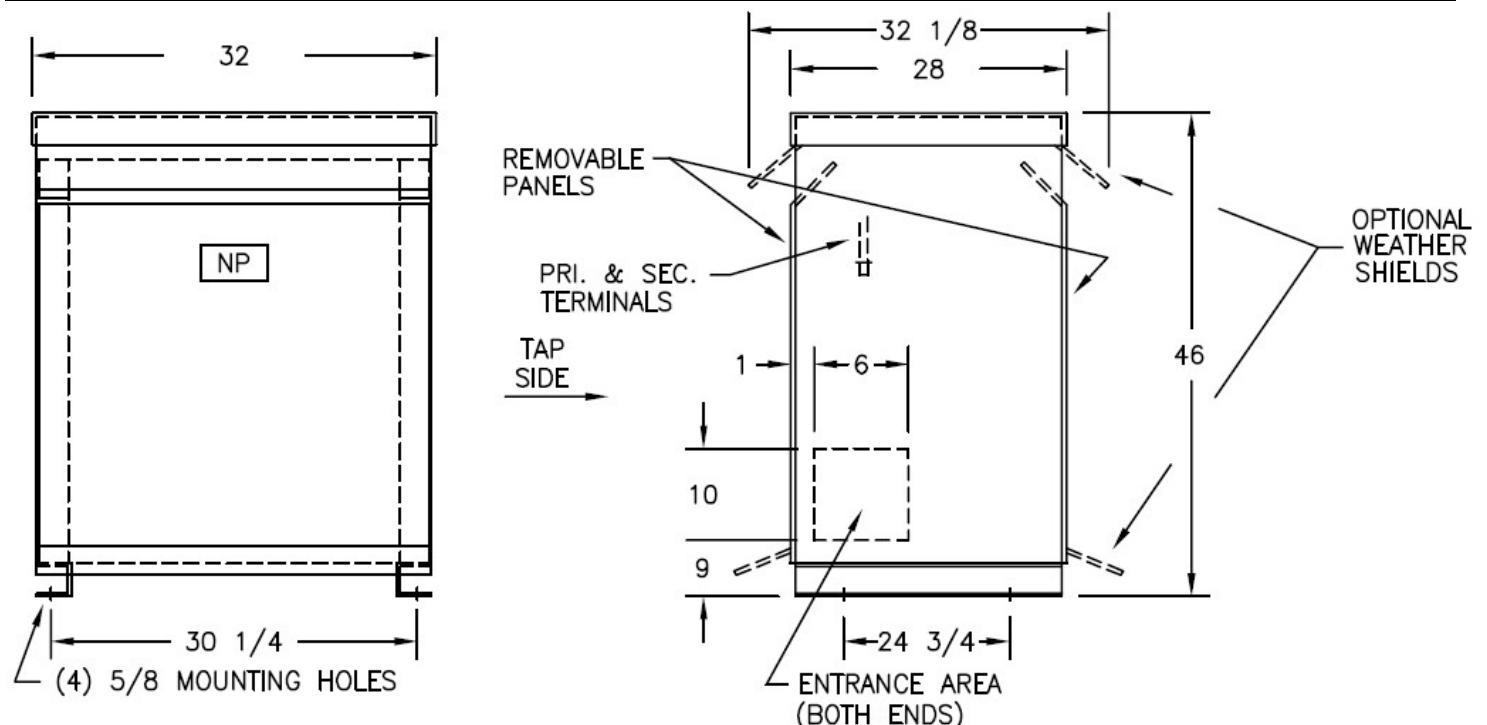
| Typical Performance @ 170° C |       |
|------------------------------|-------|
| Regulation @ 100% PF         | 2.6%  |
| Regulation @ 80% PF          | 4.3%  |
| Impedance                    | 4.6%  |
| No Load Losses (W)           | 232   |
| Full Load Losses (W)         | 3,812 |



| AMP Ratings              |       |
|--------------------------|-------|
| Line In (Primary) @ 208V | 416 A |
| Load (Secondary) @ 208V  | 416 A |

**Notes**

All units are UL listed and are designed in accordance with applicable NEMA, ANSI and IEEE standards. Transformers are dry-type AA, ventilated NEMA 2 enclosure. If a weathershield is indicated above this transformer can be converted to a NEMA 3R enclosure. Transformers are floor mounted. Wall mounting bracket kit if shown above is optional and is supplied as a separate accessory. Paint color is ANSI 61.



Outline No: 08A6251