

Typical Performance Technical Data Sheet

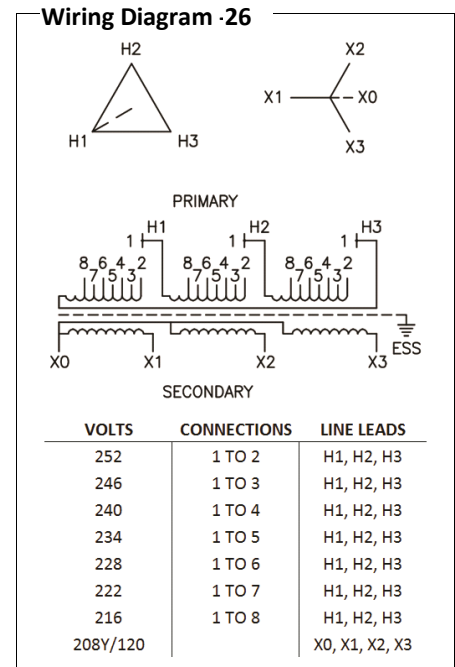


Catalog No. T24SB2Y-75

| Characteristics | |
|-----------------|---------------|
| Phase | 3 |
| KVA | 75 |
| Primary | 240Δ |
| Secondary | 208Y/120 |
| Conductor | Aluminum |
| Temp. Rise | 80° C |
| Frequency | 60 HZ |
| Taps | +2, -4 x 2.5% |
| ESS | Yes |
| Insulation | 220° C |
| Weathershield | WS-10B |
| Wall Bracket | NONE |
| Weight (lbs) | 1045 |
| Sound (dB) | 50 |

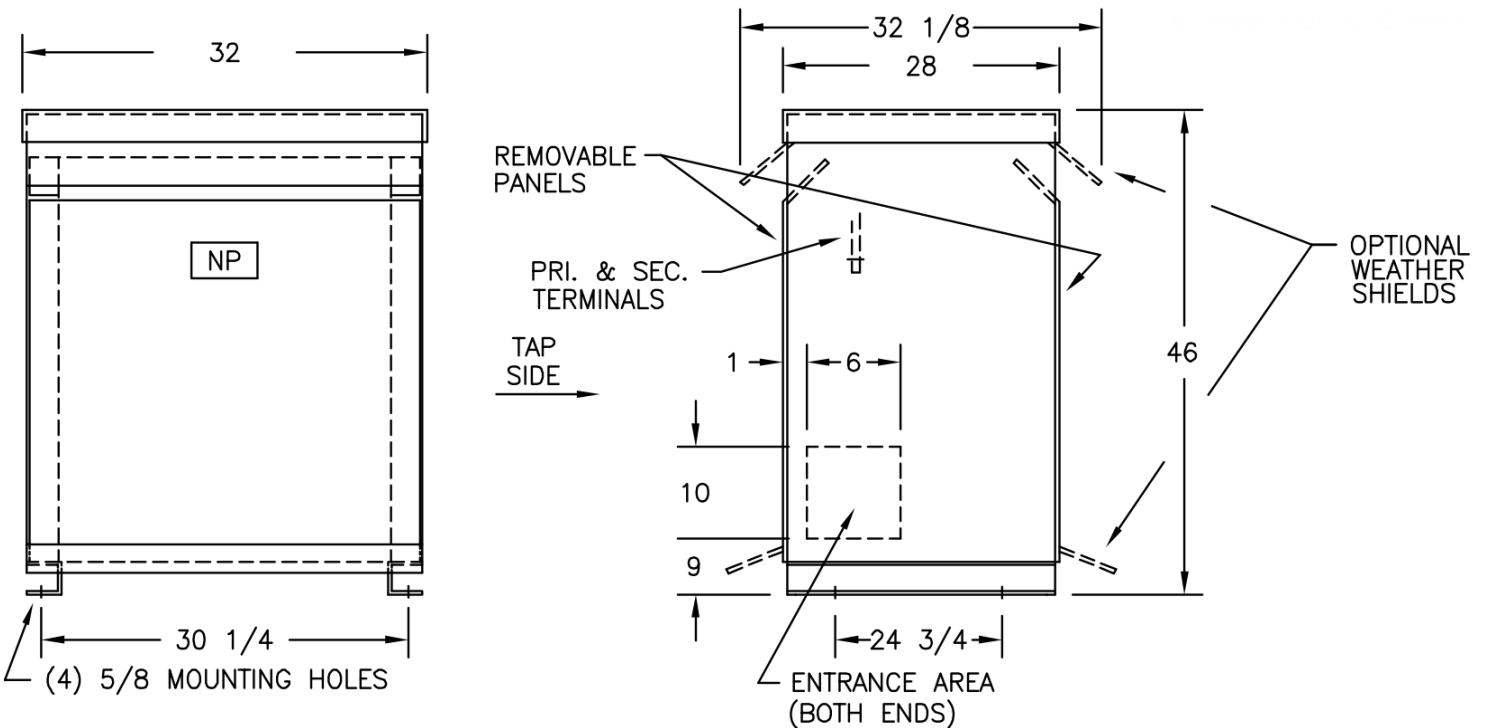
| Typical Performance @ 100° C | |
|------------------------------|-------|
| Regulation @ 100% PF | 1.4% |
| Regulation @ 80% PF | 2.5% |
| Impedance | 2.7% |
| No Load Losses (W) | 200 |
| Full Load Losses (W) | 1,043 |

| AMP Ratings | |
|--------------------------|-------|
| Line In (Primary) @ 240V | 180 A |
| Load (Secondary) @ 208V | 208 A |



Notes

All units are UL listed and are designed in accordance with applicable NEMA, ANSI and IEEE standards.
 Transformers are dry-type AA, ventilated NEMA 2 enclosure.
 If a weathershield is indicated above this transformer can be converted to a NEMA 3R enclosure.
 Transformers are floor mounted. Wall mounting bracket kit if shown above is optional and is supplied as a separate accessory.
 Paint color is ANSI 61.



Outline No: 08A7673