

# Typical Performance Technical Data Sheet



## Catalog No. T24SF2Y-225

Characteristics	
Phase	3
KVA	225
Primary	240Δ
Secondary	208Y/120
Conductor	Aluminum
Temp. Rise	115° C
Frequency	60 HZ
Taps	+2, -2 x 3.5%
ESS	Yes
Insulation	220° C
Weathershield	WS-16
Wall Bracket	NONE
Weight (lbs)	2275
Sound (dB)	55

Typical Performance @ 135° C	
Regulation @ 100% PF	1.2%
Regulation @ 80% PF	3.3%
Impedance	4.1%
No Load Losses (W)	500
Full Load Losses (W)	2,591

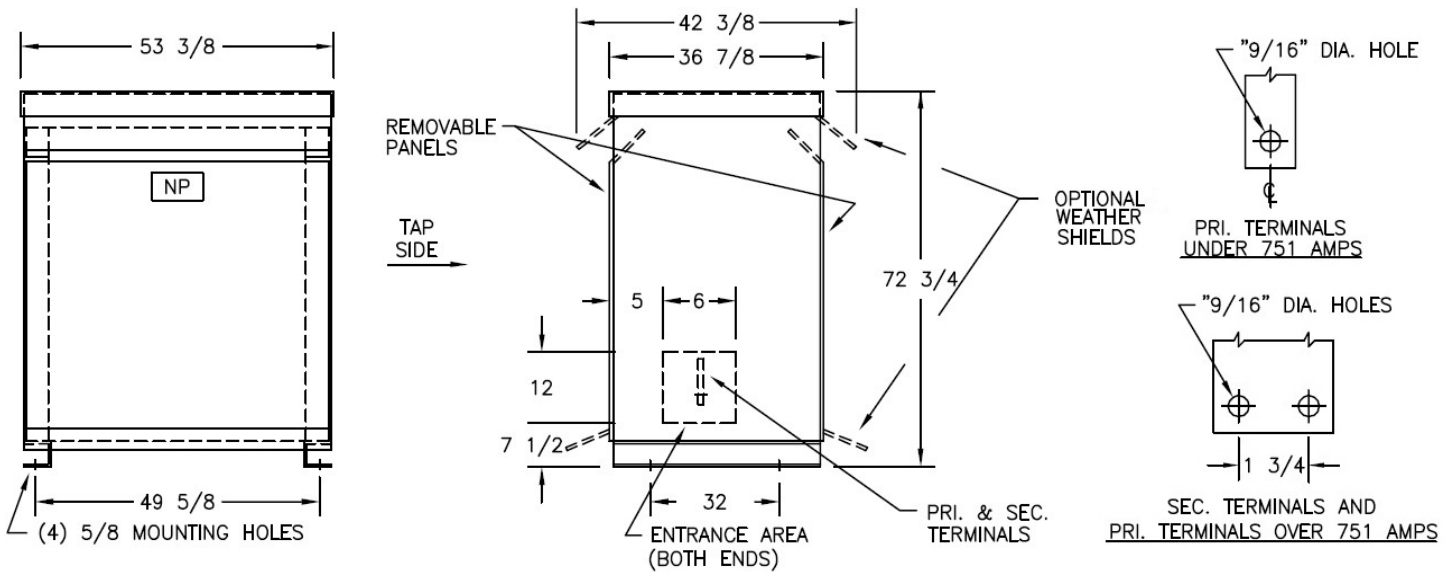
AMP Ratings	
Line In (Primary) @ 240V	541 A
Load (Secondary) @ 208V	625 A

**Wiring Diagram - 26C**

VOLTS	CONNECTIONS	LINE LEADS
256	2 TO 3	H1, H2, H3
248	2 TO 5	H1, H2, H3
240	3 TO 4	H1, H2, H3
232	4 TO 5	H1, H2, H3
224	5 TO 6	H1, H2, H3
208Y/120		X0, X1, X2, X3

**Notes**

All units are UL listed and are designed in accordance with applicable NEMA, ANSI and IEEE standards. Transformers are dry-type AA, ventilated NEMA 2 enclosure. If a weathershield is indicated above this transformer can be converted to a NEMA 3R enclosure. Transformers are floor mounted. Wall mounting bracket kit if shown above is optional and is supplied as a separate accessory. Paint color is ANSI 61.



Outline No: 08A3228