

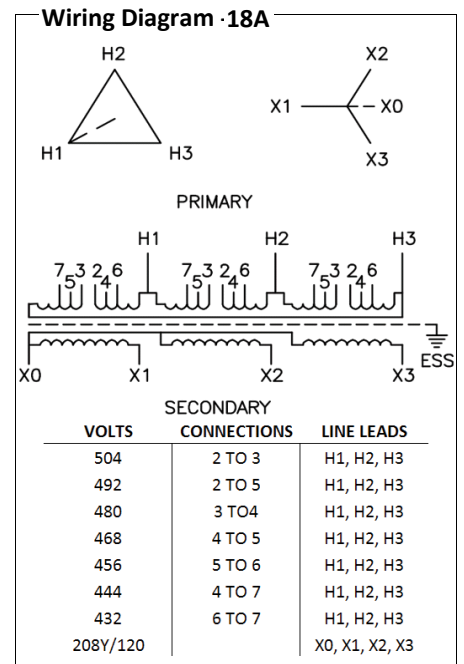
# Typical Performance Technical Data Sheet



## Catalog No T48CF2Y-112-K13

Characteristics	
Phase	3
KVA	112
Primary	480Δ
Secondary	208Y/120
Conductor	Copper
Temp. Rise	115° C
Frequency	60 HZ
Taps	+2, -4 x 2.5%
ESS	Yes
Insulation	220° C
Weathershield	38297494094
Wall Bracket	NONE
Weight (lbs)	38297494094
Sound (dB)	53

Typical Performance @ 135° C	
Regulation @ 100% PF	1.5%
Regulation @ 80% PF	2.4%
Impedance	2.5%
No Load Losses (W)	0
Full Load Losses (W)	1,665

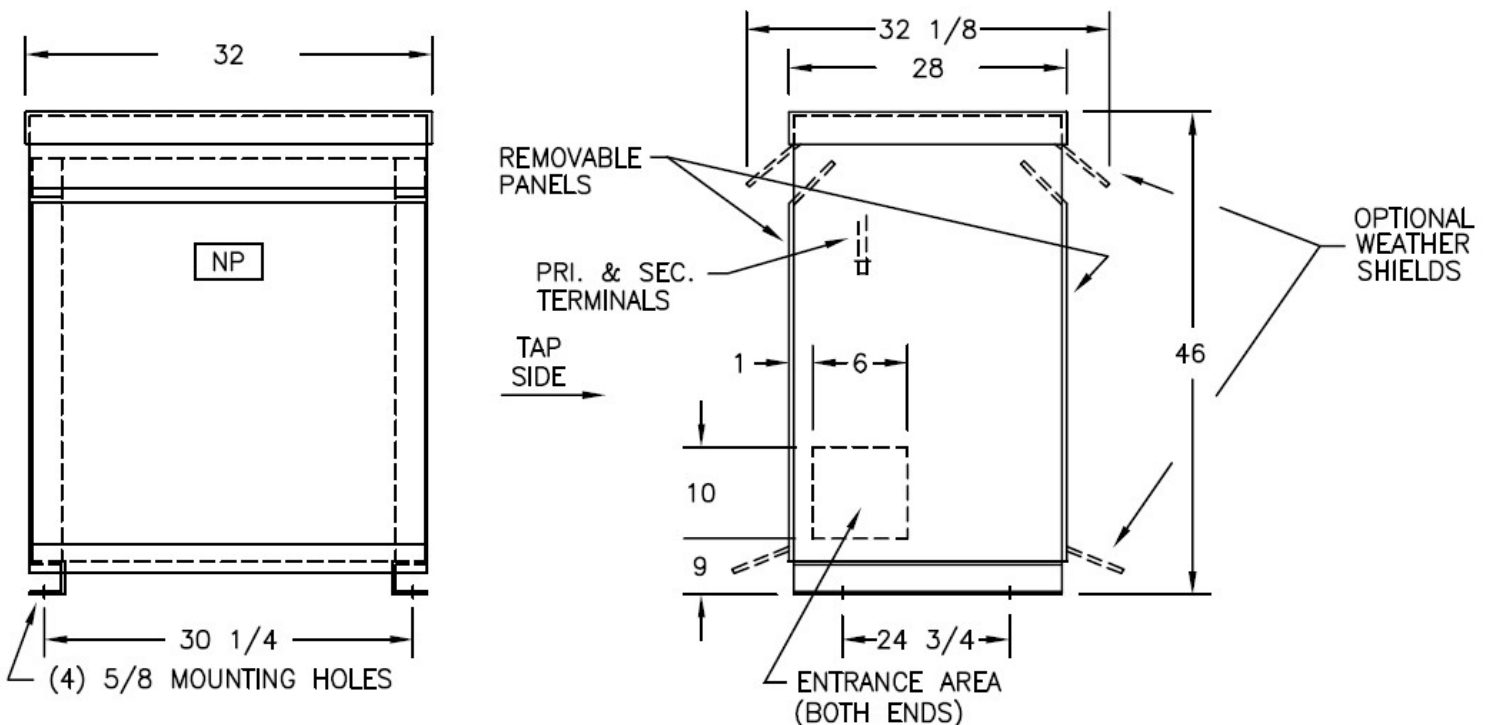


**AMP Ratings**

Line In (Primary) @ 480V	135 A
Load (Secondary) @ 208V	311 A

### Notes

All units are UL listed and are designed in accordance with applicable NEMA, ANSI and IEEE standards.  
Transformers are dry-type AA, ventilated NEMA 2 enclosure.  
If a weathershield is indicated above this transformer can be converted to a NEMA 3R enclosure.  
Transformers are floor mounted. Wall mounting bracket kit if shown above is optional and is supplied as a separate accessory.  
Paint color is ANSI 61.



Outline No: 08A6251

Meets 10 CFR 431(DOE 2016) Efficiency  
Dry Type Transformer General Purpose

© 2017 Electro-Mechanical Corporation

For reference only  
Subject to change without notice