

Typical Performance Technical Data Sheet

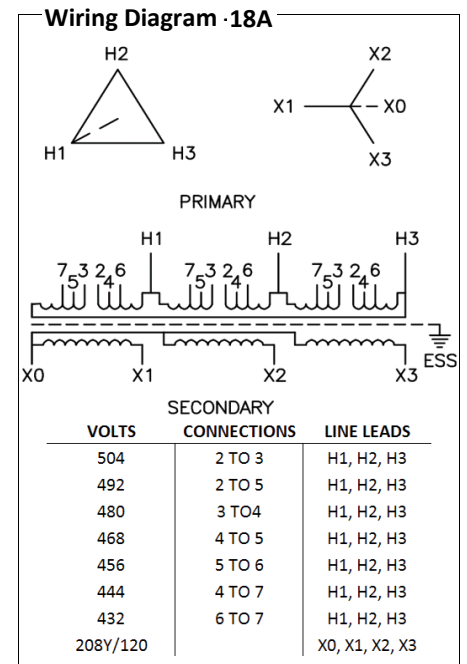


Catalog No T48CH2Y-225-K20

Characteristics	
Phase	3
KVA	225
Primary	480Δ
Secondary	208Y/120
Conductor	Copper
Temp. Rise	150° C
Frequency	60 HZ
Taps	Insult Factory
ESS	Yes
Insulation	220° C
Weathershield	Insult Factory
Wall Bracket	Insult Factory
Weight (lbs)	Insult Factory
Sound (dB)	58

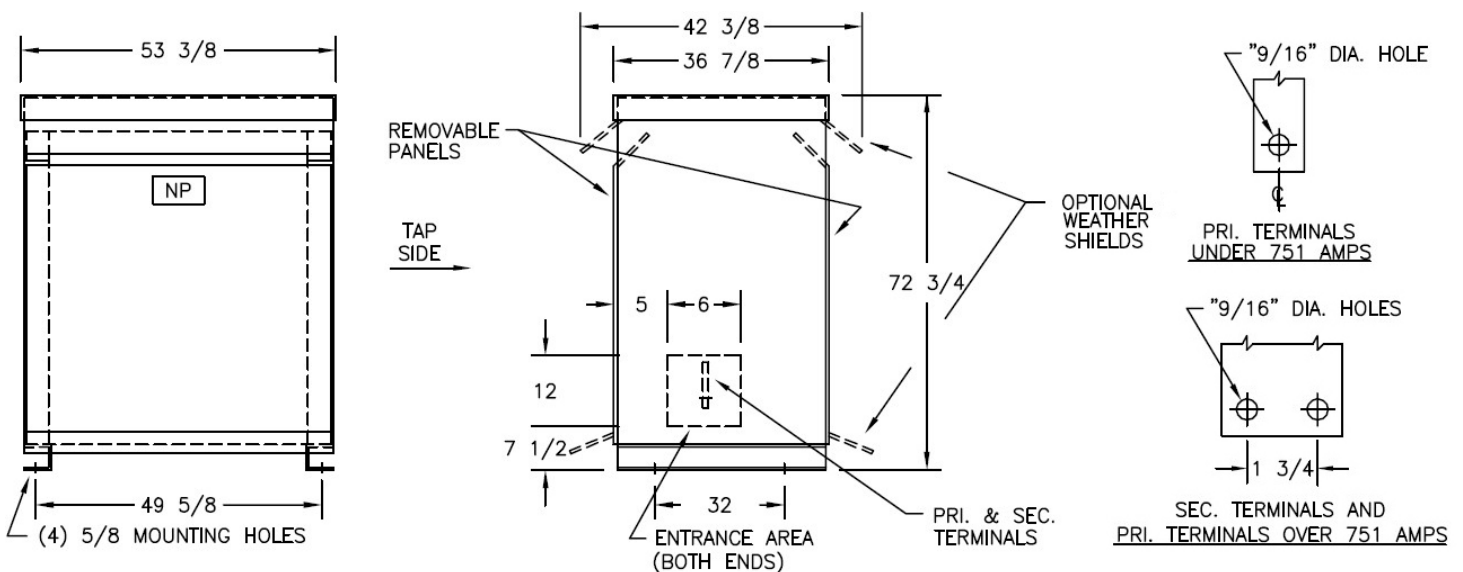
Typical Performance @ Consul	
Regulation @ 100% PF	0.0%
Regulation @ 80% PF	0.0%
Impedance	0.0%
No Load Losses (W)	0
Full Load Losses (W)	0

AMP Ratings	
Line In (Primary) @ 480V	271 A
Load (Secondary) @ 208V	625 A



Notes

All units are UL listed and are designed in accordance with applicable NEMA, ANSI and IEEE standards.
 Transformers are dry-type AA, ventilated NEMA 2 enclosure.
 If a weathershield is indicated above this transformer can be converted to a NEMA 3R enclosure.
 Transformers are floor mounted. Wall mounting bracket kit if shown above is optional and is supplied as a separate accessory.
 Paint color is ANSI 61.



Outline No: 08A3228

Meets 10 CFR 431(DOE 2016) Efficiency
 Dry Type Transformer General Purpose

© 2017 Electro-Mechanical Corporation

For reference only
 Subject to change without notice