

Typical Performance Technical Data Sheet

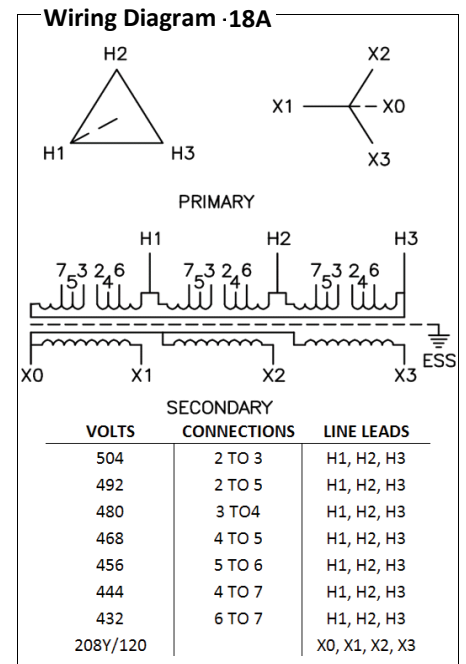


Catalog No T48CH2Y-500

Characteristics	
Phase	3
KVA	500
Primary	480Δ
Secondary	208Y/120
Conductor	Copper
Temp. Rise	150° C
Frequency	60 HZ
Taps	+2, -4 x 2.5%
ESS	Yes
Insulation	220° C
Weathershield	WS-16
Wall Bracket	NONE
Weight (lbs)	3570
Sound (dB)	60

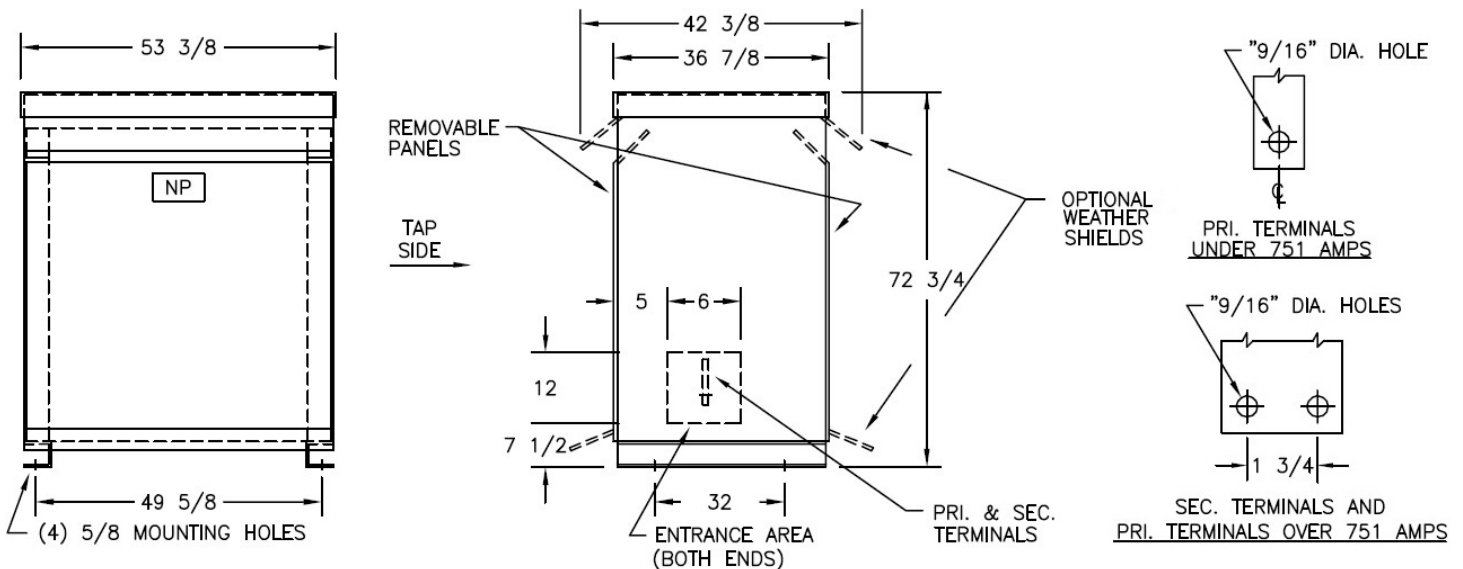
Typical Performance @ 170° C	
Regulation @ 100% PF	1.8%
Regulation @ 80% PF	4.2%
Impedance	5.0%
No Load Losses (W)	685
Full Load Losses (W)	8,224

AMP Ratings	
Line In (Primary) @ 480V	601 A
Load (Secondary) @ 208V	1,388 A



Notes

All units are UL listed and are designed in accordance with applicable NEMA, ANSI and IEEE standards.
 Transformers are dry-type AA, ventilated NEMA 2 enclosure.
 If a weathershield is indicated above this transformer can be converted to a NEMA 3R enclosure.
 Transformers are floor mounted. Wall mounting bracket kit if shown above is optional and is supplied as a separate accessory.
 Paint color is ANSI 61.



Outline No: 08A3228