

Typical Performance Technical Data Sheet



Catalog No. T48LB2D-45

Characteristics	
Phase	3
KVA	45
Primary	480Δ
Secondary	240Δ/120LT
Conductor	Aluminum
Temp. Rise	80° C
Frequency	60 HZ
Taps	+2, -4 x 2.5%
ESS	No
Insulation	220° C
Weathershield	WS-18
Wall Bracket	WMB-4
Weight (lbs)	685
Sound (dB)	45

Typical Performance @ 100° C	
Regulation @ 100% PF	1.4%
Regulation @ 80% PF	2.5%
Impedance	2.7%
No Load Losses (W)	143
Full Load Losses (W)	625

Wiring Diagram - 21

PRIMARY

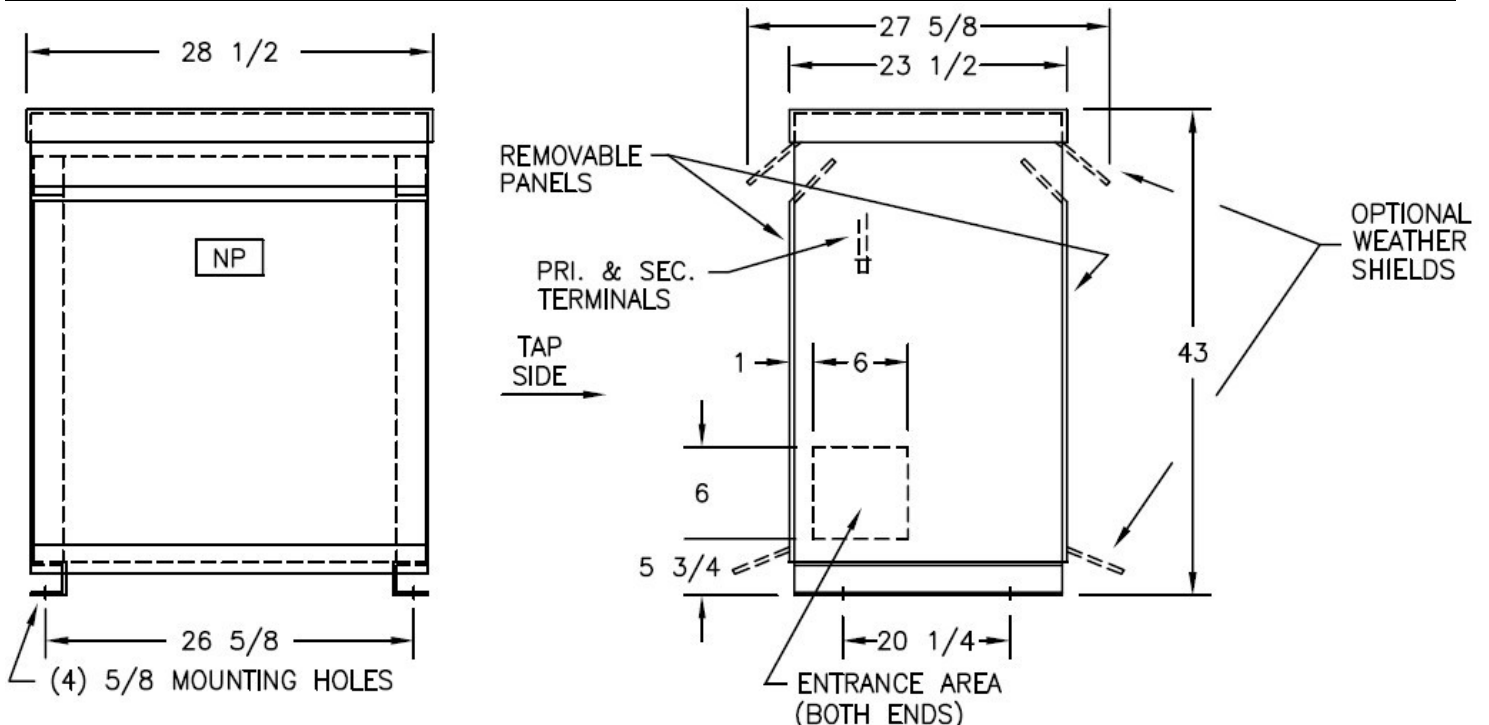
SECONDARY

VOLTS	CONNECTIONS	LINE LEADS
504	1 TO 2	H1, H2, H3
492	1 TO 3	H1, H2, H3
480	T TO 4	H1, H2, H3
468	1 TO 5	H1, H2, H3
456	1 TO 6	H1, H2, H3
444	1 TO 7	H1, H2, H3
432	1 TO 8	H1, H2, H3
240		X1, X2, X3

AMP Ratings	
Line In (Primary) @ 480V	54 A
Load (Secondary) @ 240V	108 A

Notes

All units are UL listed and are designed in accordance with applicable NEMA, ANSI and IEEE standards.
 Transformers are dry-type AA, ventilated NEMA 2 enclosure.
 If a weathershield is indicated above this transformer can be converted to a NEMA 3R enclosure.
 Transformers are floor mounted. Wall mounting bracket kit if shown above is optional and is supplied as a separate accessory.
 Paint color is ANSI 61.



Outline No: 08A3224