

# Typical Performance Technical Data Sheet



## Catalog No. T48LB2Y-15

Characteristics	
Phase	3
KVA	15
Primary	480Δ
Secondary	208Y/120
Conductor	Aluminum
Temp. Rise	80° C
Frequency	60 HZ
Taps	+2, -4 x 2.5%
ESS	No
Insulation	220° C
Weathershield	WS-4
Wall Bracket	WMB-3
Weight (lbs)	415
Sound (dB)	45

Typical Performance @ 100° C	
Regulation @ 100% PF	1.2%
Regulation @ 80% PF	1.6%
Impedance	1.6%
No Load Losses (W)	85
Full Load Losses (W)	183

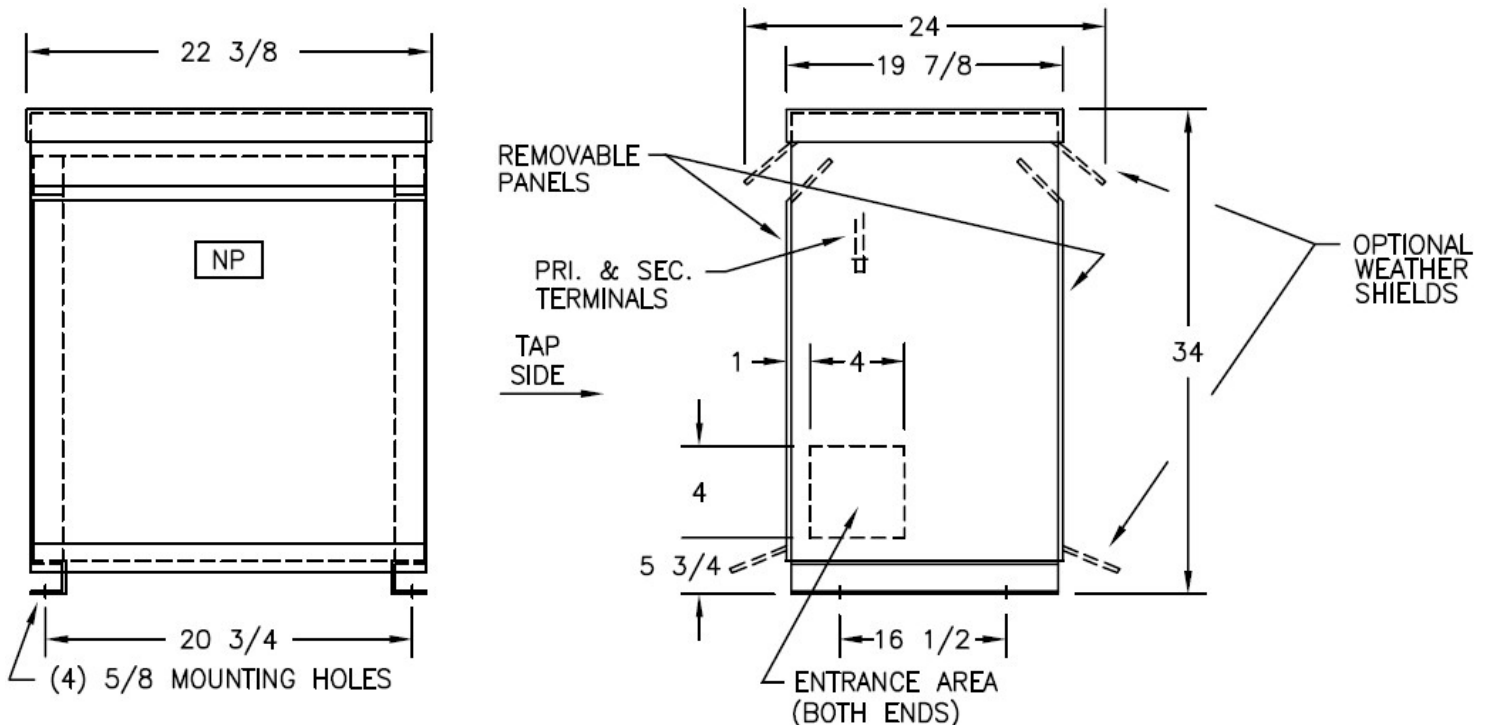
**Wiring Diagram - 22**

VOLTS	CONNECTIONS	LINE LEADS
504	1 TO 2	H1, H2, H3
492	1 TO 3	H1, H2, H3
480	1 TO 4	H1, H2, H3
468	1 TO 5	H1, H2, H3
456	1 TO 6	H1, H2, H3
444	1 TO 7	H1, H2, H3
432	1 TO 8	H1, H2, H3
208Y/120		X0, X1, X2, X3

AMP Ratings	
Line In (Primary) @ 480V	18 A
Load (Secondary) @ 208V	42 A

**Notes**

All units are UL listed and are designed in accordance with applicable NEMA, ANSI and IEEE standards. Transformers are dry-type AA, ventilated NEMA 2 enclosure. If a weathershield is indicated above this transformer can be converted to a NEMA 3R enclosure. Transformers are floor mounted. Wall mounting bracket kit if shown above is optional and is supplied as a separate accessory. Paint color is ANSI 61.



Outline No: 08A3222