

# Typical Performance Technical Data Sheet



Catalog No. T48LF40-225

| Characteristics |               |
|-----------------|---------------|
| Phase           | 3             |
| KVA             | 225           |
| Primary         | 480Δ          |
| Secondary       | 400Y/230      |
| Conductor       | Aluminum      |
| Temp. Rise      | 115° C        |
| Frequency       | 60 HZ         |
| Taps            | +2, -4 x 2.5% |
| ESS             | No            |
| Insulation      | 220° C        |
| Weathershield   | WS-16         |
| Wall Bracket    | NONE          |
| Weight (lbs)    | 2275          |
| Sound (dB)      | 55            |

| Typical Performance @ 135° C |       |
|------------------------------|-------|
| Regulation @ 100% PF         | 1.1%  |
| Regulation @ 80% PF          | 3.1%  |
| Impedance                    | 4.0%  |
| No Load Losses (W)           | 506   |
| Full Load Losses (W)         | 2,571 |

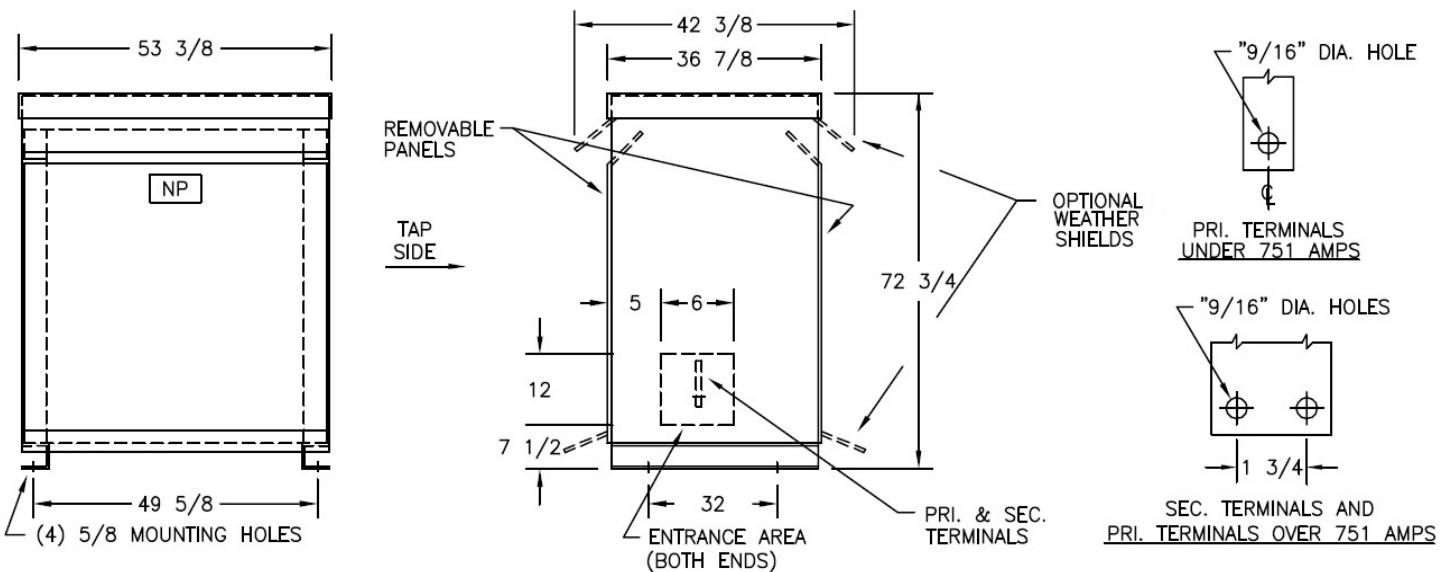
| AMP Ratings              |       |
|--------------------------|-------|
| Line In (Primary) @ 480V | 271 A |
| Load (Secondary) @ 400V  | 325 A |

**Wiring Diagram - 27A**

| VOLTS    | CONNECTIONS | LINE LEADS     |
|----------|-------------|----------------|
| 504      | 2 TO 3      | H1, H2, H3     |
| 492      | 2 TO 5      | H1, H2, H3     |
| 480      | 3 TO 4      | H1, H2, H3     |
| 468      | 4 TO 5      | H1, H2, H3     |
| 456      | 5 TO 6      | H1, H2, H3     |
| 444      | 4 TO 7      | H1, H2, H3     |
| 432      | 6 TO 7      | H1, H2, H3     |
| 400Y/230 |             | X0, X1, X2, X3 |

**Notes**

All units are UL listed and are designed in accordance with applicable NEMA, ANSI and IEEE standards. Transformers are dry-type AA, ventilated NEMA 2 enclosure. If a weathershield is indicated above this transformer can be converted to a NEMA 3R enclosure. Transformers are floor mounted. Wall mounting bracket kit if shown above is optional and is supplied as a separate accessory. Paint color is ANSI 61.



Outline No: 08A3228