

Typical Performance Technical Data Sheet



Catalog No. T48LH2D-500

Characteristics	
Phase	3
KVA	500
Primary	480Δ
Secondary	240Δ/120LT
Conductor	Aluminum
Temp. Rise	150° C
Frequency	60 HZ
Taps	+2, -4 x 2.5%
ESS	No
Insulation	220° C
Weathershield	WS-16
Wall Bracket	NONE
Weight (lbs)	3340
Sound (dB)	60

Typical Performance @ 170° C	
Regulation @ 100% PF	1.5%
Regulation @ 80% PF	3.8%
Impedance	4.6%
No Load Losses (W)	754
Full Load Losses (W)	7,258

Wiring Diagram - 21A

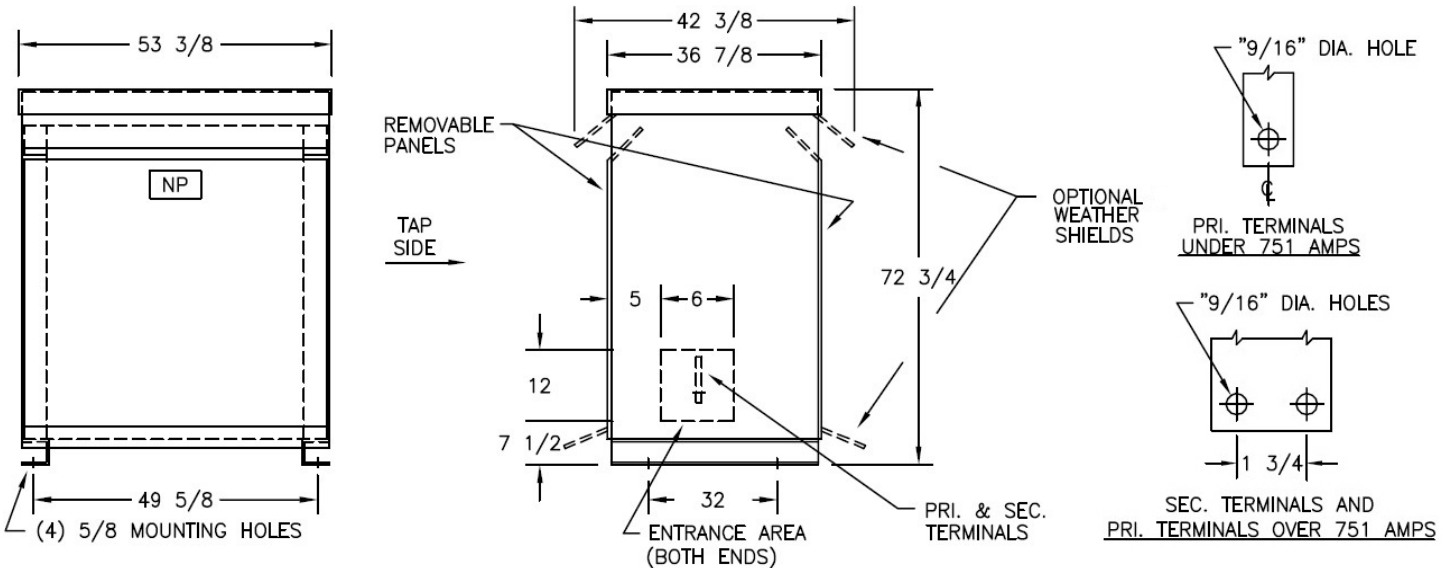
VOLTS	CONNECTIONS	LINE LEADS
504	1 TO 2	H1, H2, H3
492	1 TO 3	H1, H2, H3
480	T TO 4	H1, H2, H3
468	1 TO 5	H1, H2, H3
456	1 TO 6	H1, H2, H3
444	1 TO 7	H1, H2, H3
432	1 TO 8	H1, H2, H3
240		X1, X2, X3

AMP Ratings

Line In (Primary) @ 480V	601 A
Load (Secondary) @ 240V	1,203 A

Notes

All units are UL listed and are designed in accordance with applicable NEMA, ANSI and IEEE standards. Transformers are dry-type AA, ventilated NEMA 2 enclosure. If a weathershield is indicated above this transformer can be converted to a NEMA 3R enclosure. Transformers are floor mounted. Wall mounting bracket kit if shown above is optional and is supplied as a separate accessory. Paint color is ANSI 61.



Outline No: 08A3228