

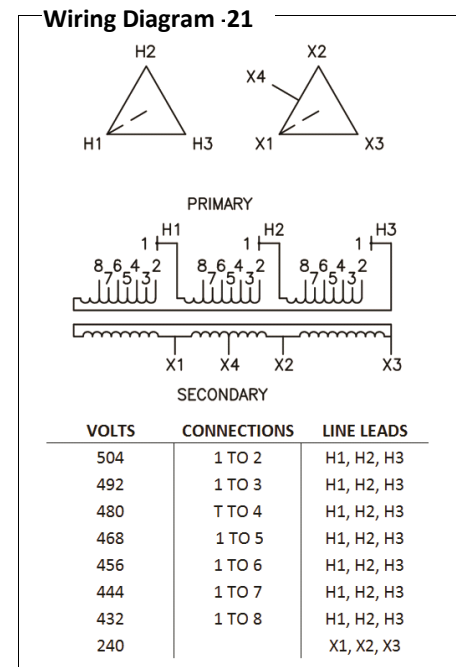
# Typical Performance Technical Data Sheet



## Catalog No. T48LH2D-75

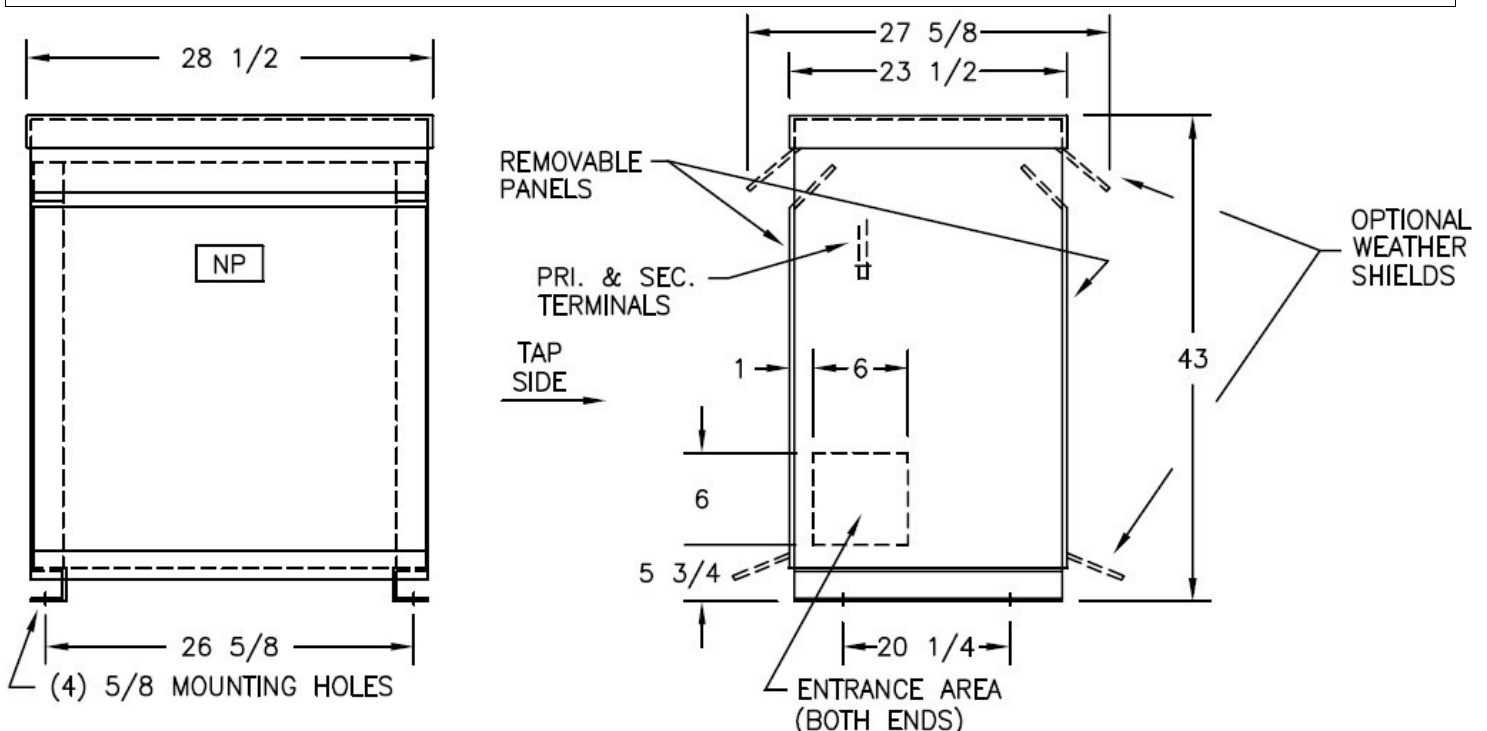
Characteristics	
Phase	3
KVA	75
Primary	480Δ
Secondary	240Δ/120LT
Conductor	Aluminum
Temp. Rise	150° C
Frequency	60 HZ
Taps	+2, -4 x 2.5%
ESS	No
Insulation	220° C
Weathershield	WS-18
Wall Bracket	WMB-4
Weight (lbs)	685
Sound (dB)	50

Typical Performance @ 170° C	
Regulation @ 100% PF	2.9%
Regulation @ 80% PF	4.6%
Impedance	4.8%
No Load Losses (W)	143
Full Load Losses (W)	2,111



**Notes**

All units are UL listed and are designed in accordance with applicable NEMA, ANSI and IEEE standards.  
 Transformers are dry-type AA, ventilated NEMA 2 enclosure.  
 If a weathershield is indicated above this transformer can be converted to a NEMA 3R enclosure.  
 Transformers are floor mounted. Wall mounting bracket kit if shown above is optional and is supplied as a separate accessory.  
 Paint color is ANSI 61.



Outline No: 08A3224