

Typical Performance Technical Data Sheet



Catalog No. T48LH2Y-75

| Characteristics | |
|-----------------|---------------|
| Phase | 3 |
| KVA | 75 |
| Primary | 480Δ |
| Secondary | 208Y/120 |
| Conductor | Aluminum |
| Temp. Rise | 150° C |
| Frequency | 60 HZ |
| Taps | +2, -4 x 2.5% |
| ESS | No |
| Insulation | 220° C |
| Weathershield | WS-18 |
| Wall Bracket | WMB-4 |
| Weight (lbs) | 685 |
| Sound (dB) | 50 |

| Typical Performance @ 170° C | |
|------------------------------|-------|
| Regulation @ 100% PF | 3.1% |
| Regulation @ 80% PF | 4.7% |
| Impedance | 4.8% |
| No Load Losses (W) | 143 |
| Full Load Losses (W) | 2,255 |

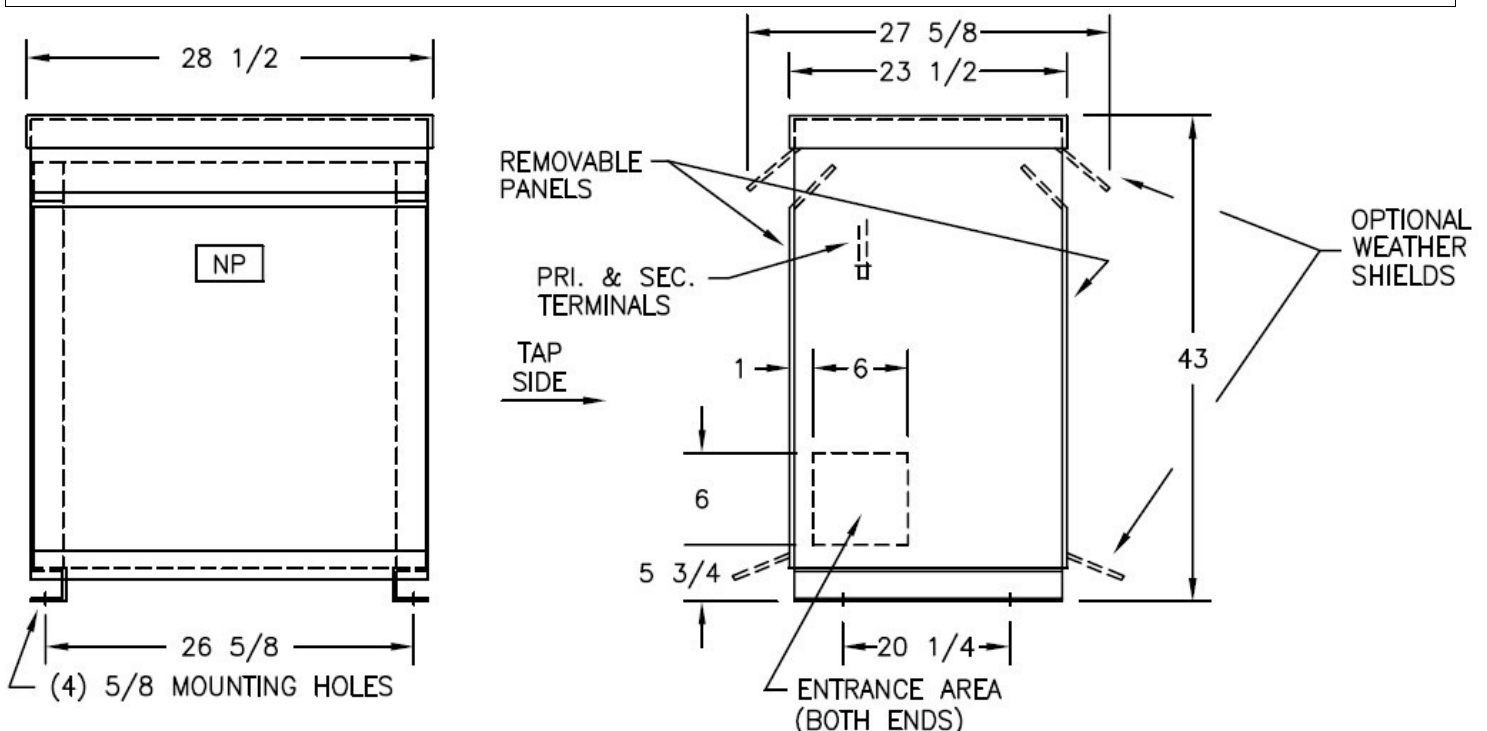
Wiring Diagram - 22

| VOLTS | CONNECTIONS | LINE LEADS |
|----------|-------------|----------------|
| 504 | 1 TO 2 | H1, H2, H3 |
| 492 | 1 TO 3 | H1, H2, H3 |
| 480 | 1 TO 4 | H1, H2, H3 |
| 468 | 1 TO 5 | H1, H2, H3 |
| 456 | 1 TO 6 | H1, H2, H3 |
| 444 | 1 TO 7 | H1, H2, H3 |
| 432 | 1 TO 8 | H1, H2, H3 |
| 208Y/120 | | X0, X1, X2, X3 |

| AMP Ratings | |
|--------------------------|-------|
| Line In (Primary) @ 480V | 90 A |
| Load (Secondary) @ 208V | 208 A |

Notes

All units are UL listed and are designed in accordance with applicable NEMA, ANSI and IEEE standards. Transformers are dry-type AA, ventilated NEMA 2 enclosure. If a weathershield is indicated above this transformer can be converted to a NEMA 3R enclosure. Transformers are floor mounted. Wall mounting bracket kit if shown above is optional and is supplied as a separate accessory. Paint color is ANSI 61.



Outline No: 08A3224