

Typical Performance Technical Data Sheet

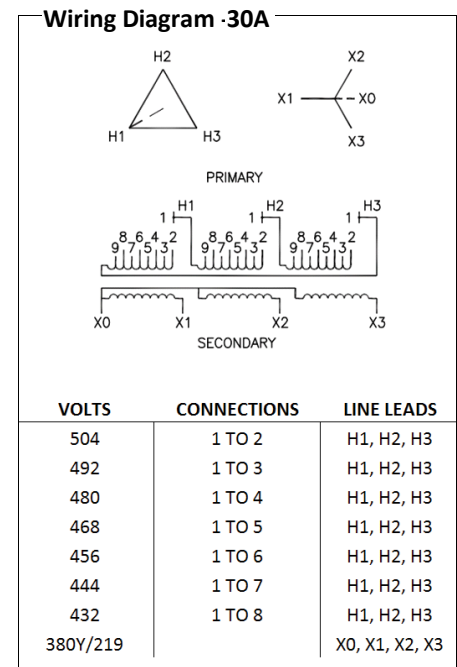


Catalog No. T48LH3Y-45

Characteristics	
Phase	3
KVA	45
Primary	480Δ
Secondary	380Y/219
Conductor	Aluminum
Temp. Rise	150° C
Frequency	60 HZ
Taps	+2, -4 x 2.5%
ESS	No
Insulation	220° C
Weathershield	WS-18A
Wall Bracket	WMB-4
Weight (lbs)	455
Sound (dB)	45

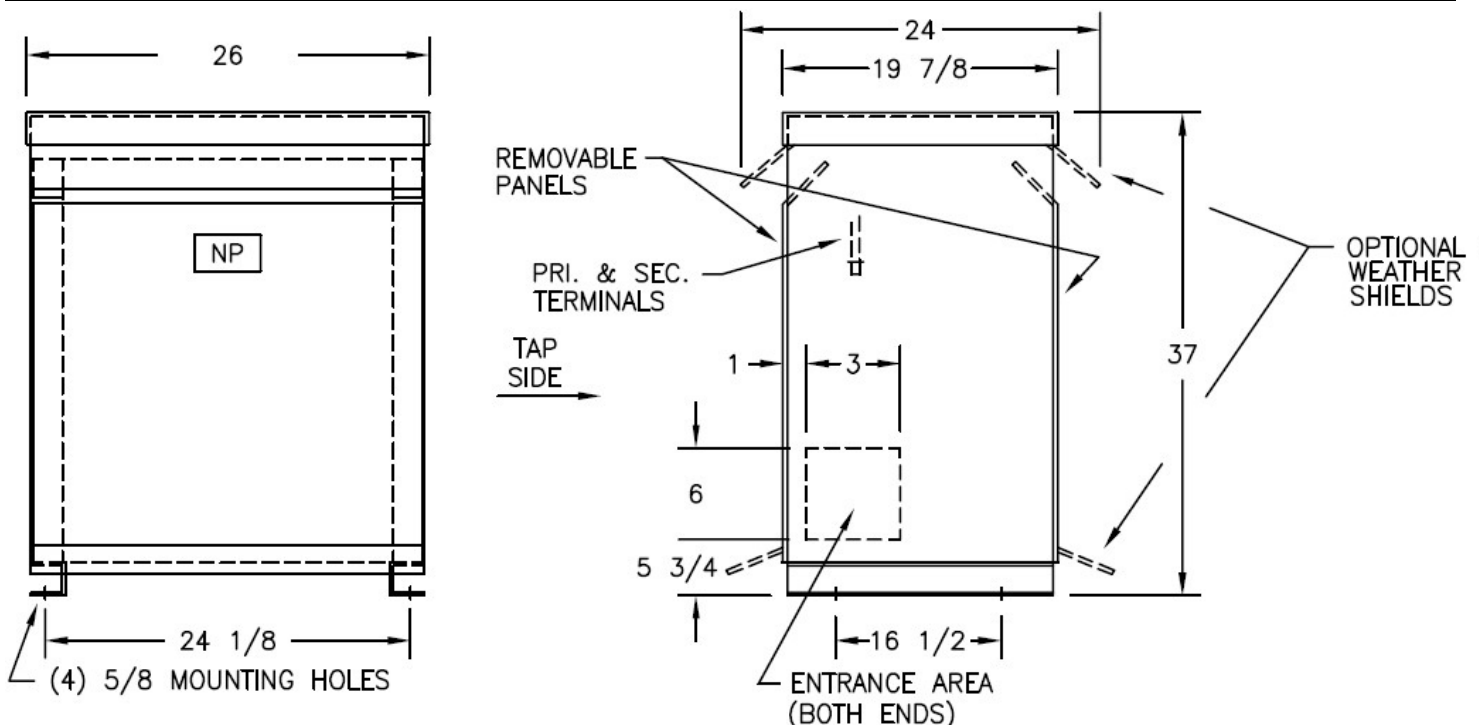
Typical Performance @ 170° C	
Regulation @ 100% PF	3.1%
Regulation @ 80% PF	4.0%
Impedance	4.0%
No Load Losses (W)	87
Full Load Losses (W)	1,383

AMP Ratings	
Line In (Primary) @ 480V	54 A
Load (Secondary) @ 380V	68 A



Notes

All units are UL listed and are designed in accordance with applicable NEMA, ANSI and IEEE standards. Transformers are dry-type AA, ventilated NEMA 2 enclosure. If a weathershield is indicated above this transformer can be converted to a NEMA 3R enclosure. Transformers are floor mounted. Wall mounting bracket kit if shown above is optional and is supplied as a separate accessory. Paint color is ANSI 61.



Outline No: 08A3223