

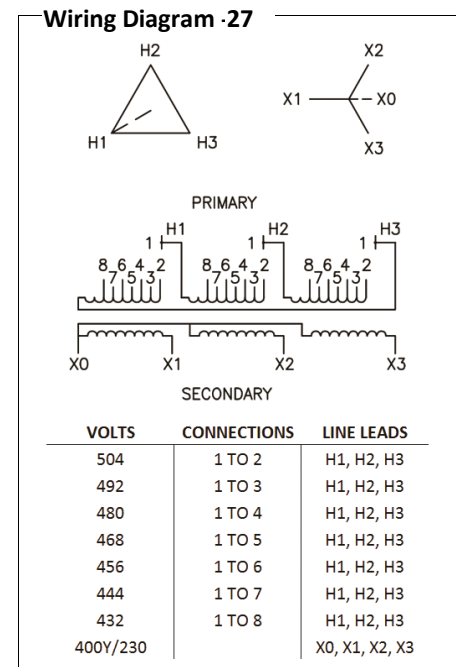
# Typical Performance Technical Data Sheet



## Catalog No. T48LH40-15

Characteristics	
Phase	3
KVA	15
Primary	480Δ
Secondary	400Y/230
Conductor	Aluminum
Temp. Rise	150° C
Frequency	60 HZ
Taps	+2, -4 x 2.5%
ESS	No
Insulation	220° C
Weathershield	WS-2
Wall Bracket	WMB-3
Weight (lbs)	245
Sound (dB)	45

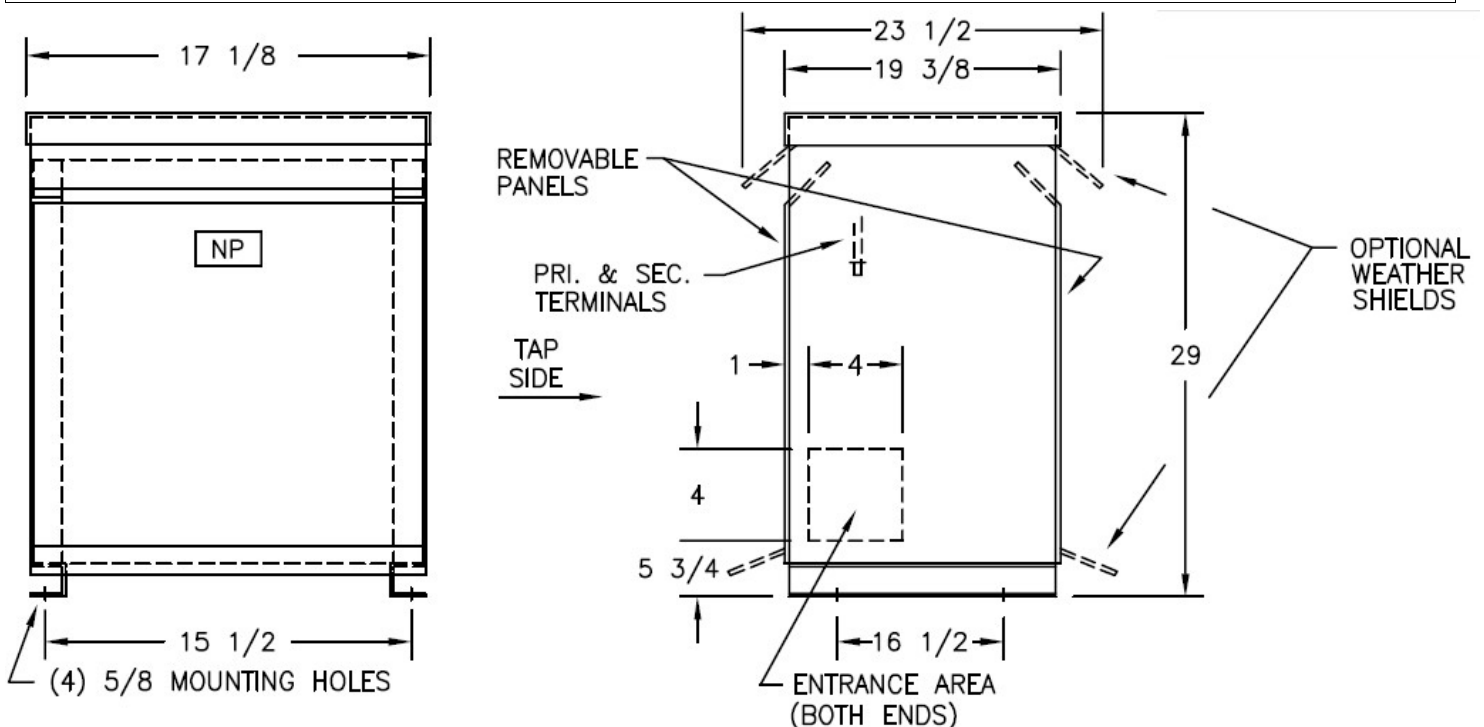
Typical Performance @ 170° C	
Regulation @ 100% PF	3.9%
Regulation @ 80% PF	3.2%
Impedance	3.9%
No Load Losses (W)	45
Full Load Losses (W)	580



AMP Ratings	
Line In (Primary) @ 480V	18 A
Load (Secondary) @ 400V	22 A

**Notes**

All units are UL listed and are designed in accordance with applicable NEMA, ANSI and IEEE standards. Transformers are dry-type AA, ventilated NEMA 2 enclosure. If a weathershield is indicated above this transformer can be converted to a NEMA 3R enclosure. Transformers are floor mounted. Wall mounting bracket kit if shown above is optional and is supplied as a separate accessory. Paint color is ANSI 61.



Outline No: 08A3221