

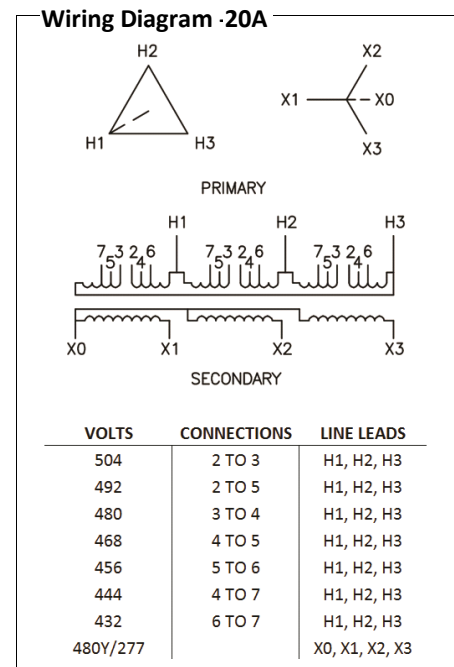
Typical Performance Technical Data Sheet



Catalog No. T48LH42-225

Characteristics	
Phase	3
KVA	225
Primary	480Δ
Secondary	480Y/277
Conductor	Aluminum
Temp. Rise	150° C
Frequency	60 HZ
Taps	+2, -4 x 2.5%
ESS	No
Insulation	220° C
Weathershield	WS-12A
Wall Bracket	NONE
Weight (lbs)	1520
Sound (dB)	55

Typical Performance @ 170° C	
Regulation @ 100% PF	1.9%
Regulation @ 80% PF	3.6%
Impedance	4.0%
No Load Losses (W)	344
Full Load Losses (W)	4,194

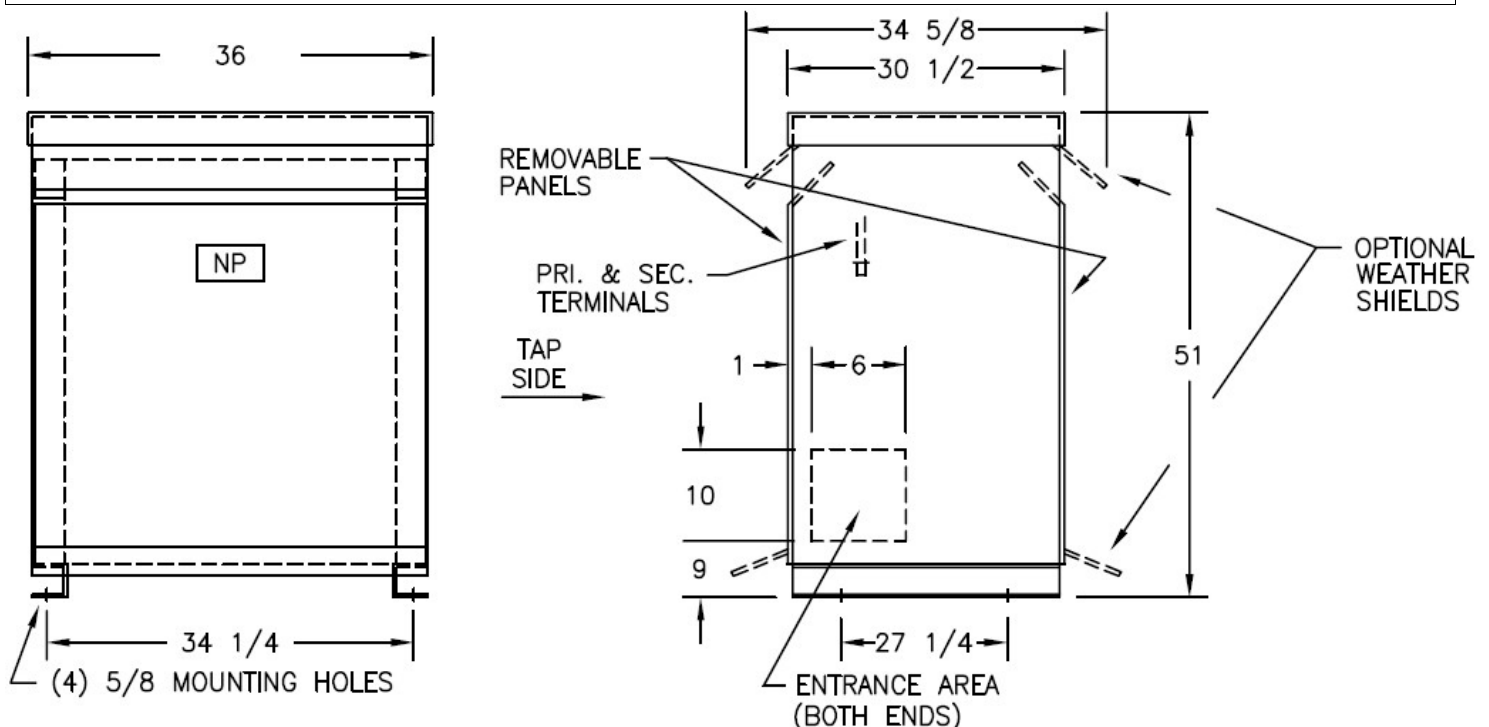


AMP Ratings

Line In (Primary) @ 480V	271 A
Load (Secondary) @ 480V	271 A

Notes

All units are UL listed and are designed in accordance with applicable NEMA, ANSI and IEEE standards. Transformers are dry-type AA, ventilated NEMA 2 enclosure. If a weathershield is indicated above this transformer can be converted to a NEMA 3R enclosure. Transformers are floor mounted. Wall mounting bracket kit if shown above is optional and is supplied as a separate accessory. Paint color is ANSI 61.



Outline No: 08A6315