

# Typical Performance Technical Data Sheet



Catalog No. T48LH42-75

Characteristics	
Phase	3
KVA	75
Primary	480Δ
Secondary	480Y/277
Conductor	Aluminum
Temp. Rise	150° C
Frequency	60 HZ
Taps	+2, -4 x 2.5%
ESS	No
Insulation	220° C
Weathershield	WS-18
Wall Bracket	WMB-4
Weight (lbs)	685
Sound (dB)	50

Typical Performance @ 170° C	
Regulation @ 100% PF	2.9%
Regulation @ 80% PF	4.5%
Impedance	4.7%
No Load Losses (W)	143
Full Load Losses (W)	2,100

**Wiring Diagram - 20**

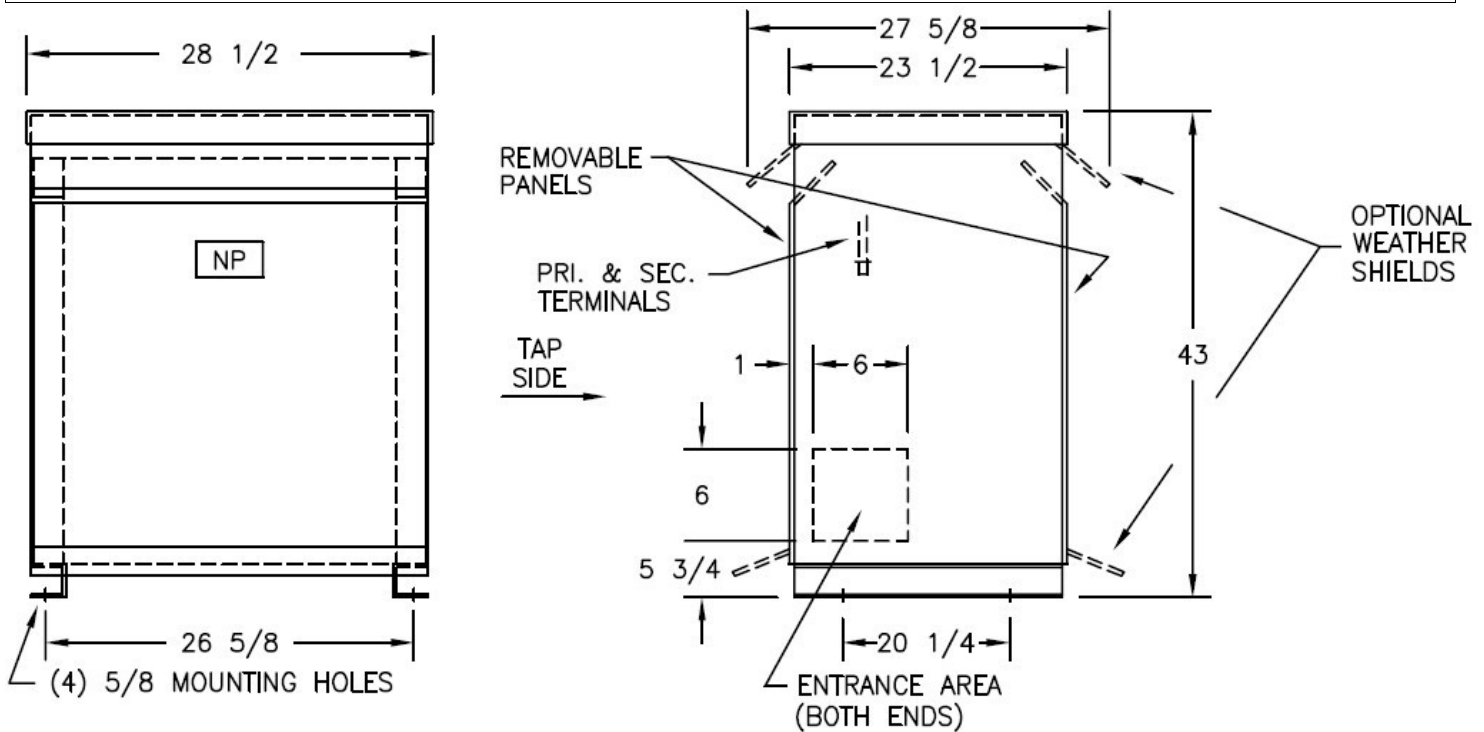
VOLTS	CONNECTIONS	LINE LEADS
504	1 TO 2	H1, H2, H3
492	1 TO 3	H1, H2, H3
480	1 TO 4	H1, H2, H3
468	1 TO 5	H1, H2, H3
456	1 TO 6	H1, H2, H3
444	1 TO 7	H1, H2, H3
432	1 TO 8	H1, H2, H3
480Y/277		X0, X1, X2, X3

**AMP Ratings**

Line In (Primary) @ 480V	90 A
Load (Secondary) @ 480V	90 A

**Notes**

All units are UL listed and are designed in accordance with applicable NEMA, ANSI and IEEE standards. Transformers are dry-type AA, ventilated NEMA 2 enclosure. If a weathershield is indicated above this transformer can be converted to a NEMA 3R enclosure. Transformers are floor mounted. Wall mounting bracket kit if shown above is optional and is supplied as a separate accessory. Paint color is ANSI 61.



Outline No: 08A3224