

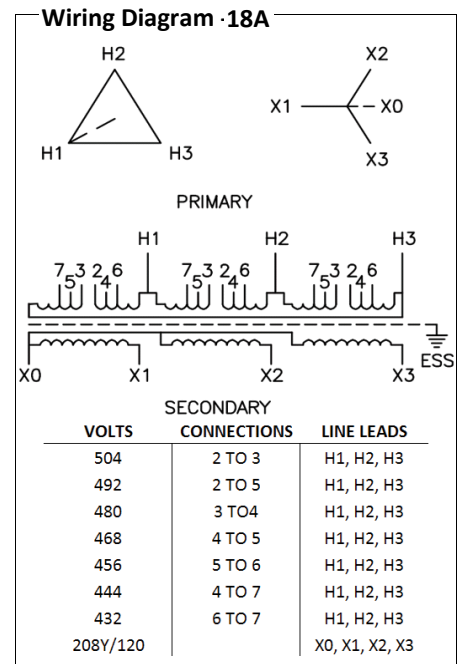
Typical Performance Technical Data Sheet



Catalog No T48SB2Y-225-K4

Characteristics	
Phase	3
KVA	225
Primary	480Δ
Secondary	208Y/120
Conductor	Aluminum
Temp. Rise	80° C
Frequency	60 HZ
Taps	+2, -4 x 2.5%
ESS	Yes
Insulation	220° C
Weathershield	WS-16
Wall Bracket	NONE
Weight (lbs)	2275
Sound (dB)	55

Typical Performance @ 100° C	
Regulation @ 100% PF	1.1%
Regulation @ 80% PF	3.2%
Impedance	4.0%
No Load Losses (W)	500
Full Load Losses (W)	2,339

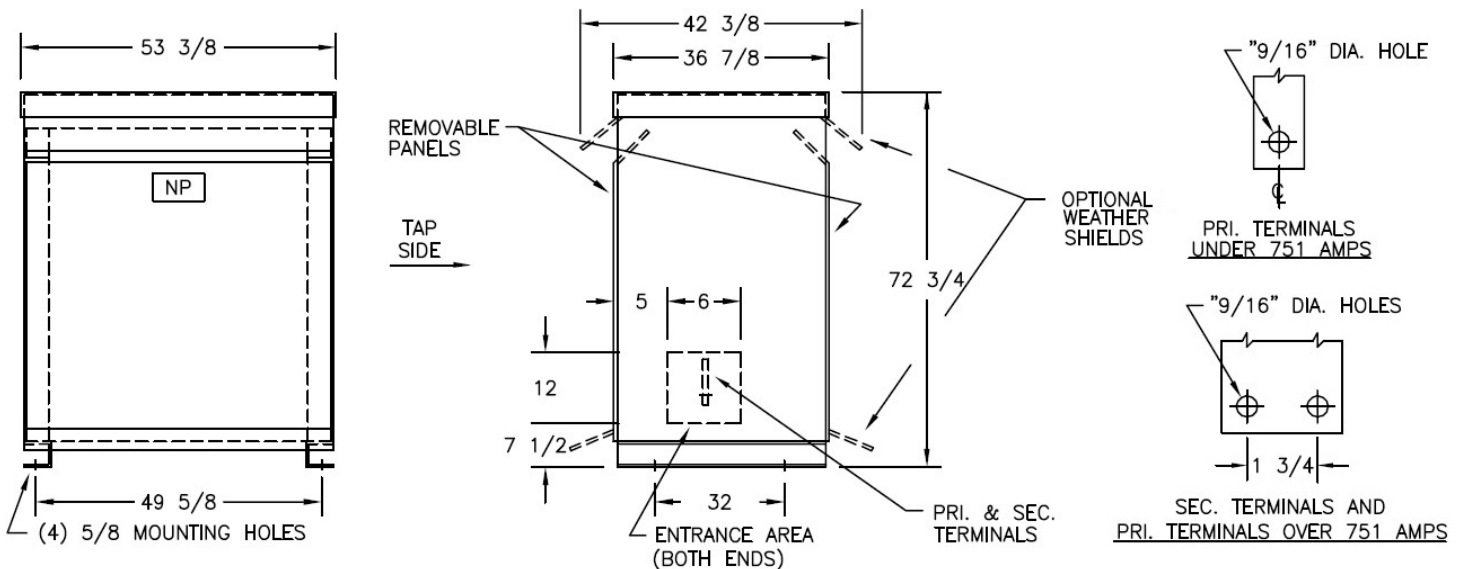


AMP Ratings

Line In (Primary) @ 480V	271 A
Load (Secondary) @ 208V	625 A

Notes

All units are UL listed and are designed in accordance with applicable NEMA, ANSI and IEEE standards.
 Transformers are dry-type AA, ventilated NEMA 2 enclosure.
 If a weathershield is indicated above this transformer can be converted to a NEMA 3R enclosure.
 Transformers are floor mounted. Wall mounting bracket kit if shown above is optional and is supplied as a separate accessory.
 Paint color is ANSI 61.



Outline No: 08A3228

Meets 10 CFR 431(DOE 2016) Efficiency
 Dry Type Transformer General Purpose

© 2017 Electro-Mechanical Corporation

For reference only
 Subject to change without notice