

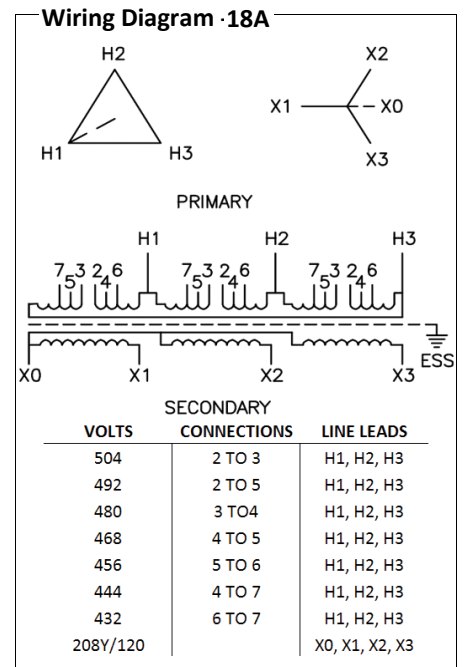
# Typical Performance Technical Data Sheet



## Catalog No T48SB2Y-75-K13

| Characteristics |               |
|-----------------|---------------|
| Phase           | 3             |
| KVA             | 75            |
| Primary         | 480Δ          |
| Secondary       | 208Y/120      |
| Conductor       | Aluminum      |
| Temp. Rise      | 80° C         |
| Frequency       | 60 HZ         |
| Taps            | +2, -4 x 2.5% |
| ESS             | Yes           |
| Insulation      | 220° C        |
| Weathershield   | WS-10B        |
| Wall Bracket    | NONE          |
| Weight (lbs)    | 1205          |
| Sound (dB)      | 53            |

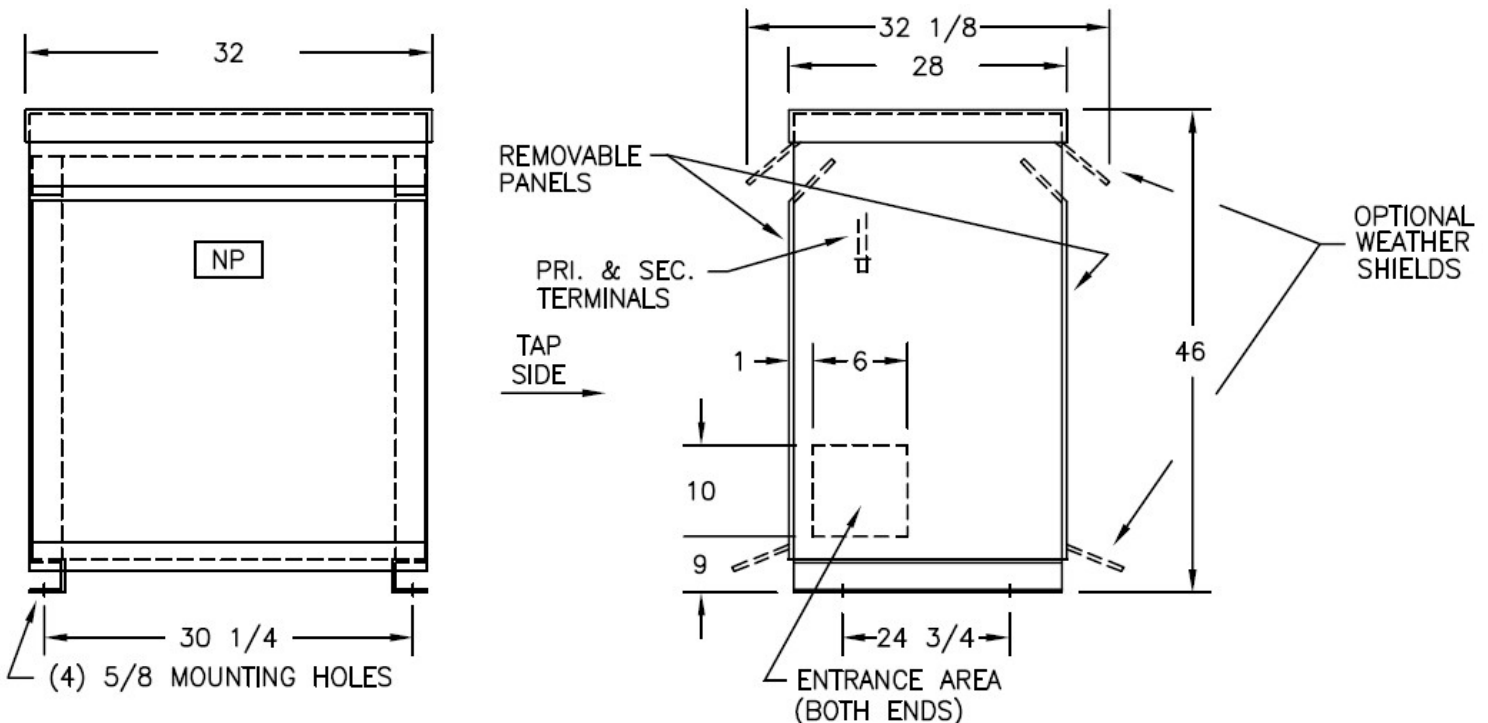
| Typical Performance @ 100° C |      |
|------------------------------|------|
| Regulation @ 100% PF         | 0.9% |
| Regulation @ 80% PF          | 1.7% |
| Impedance                    | 1.8% |
| No Load Losses (W)           | 265  |
| Full Load Losses (W)         | 693  |



| AMP Ratings              |       |
|--------------------------|-------|
| Line In (Primary) @ 480V | 90 A  |
| Load (Secondary) @ 208V  | 208 A |

### Notes

All units are UL listed and are designed in accordance with applicable NEMA, ANSI and IEEE standards.  
 Transformers are dry-type AA, ventilated NEMA 2 enclosure.  
 If a weathershield is indicated above this transformer can be converted to a NEMA 3R enclosure.  
 Transformers are floor mounted. Wall mounting bracket kit if shown above is optional and is supplied as a separate accessory.  
 Paint color is ANSI 61.



Outline No: 08A6251