

# Typical Performance Technical Data Sheet

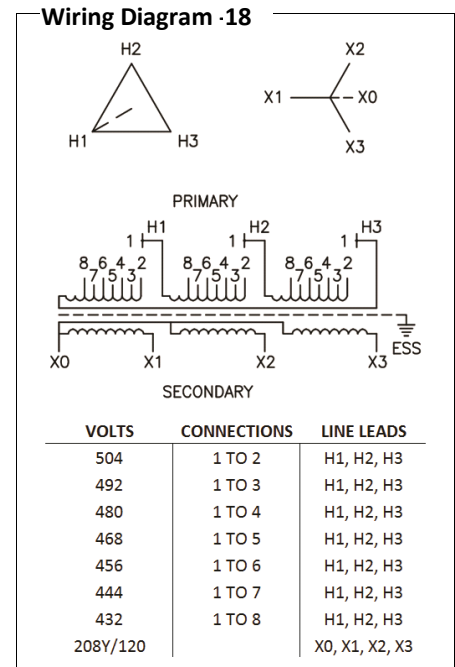


Catalog No. T48SH2Y-112-K4

Characteristics	
Phase	3
KVA	112
Primary	480Δ
Secondary	208Y/120
Conductor	Aluminum
Temp. Rise	150° C
Frequency	60 HZ
Taps	+2, -4 x 2.5%
ESS	Yes
Insulation	220° C
Weathershield	WS-10B
Wall Bracket	NONE
Weight (lbs)	1045
Sound (dB)	50

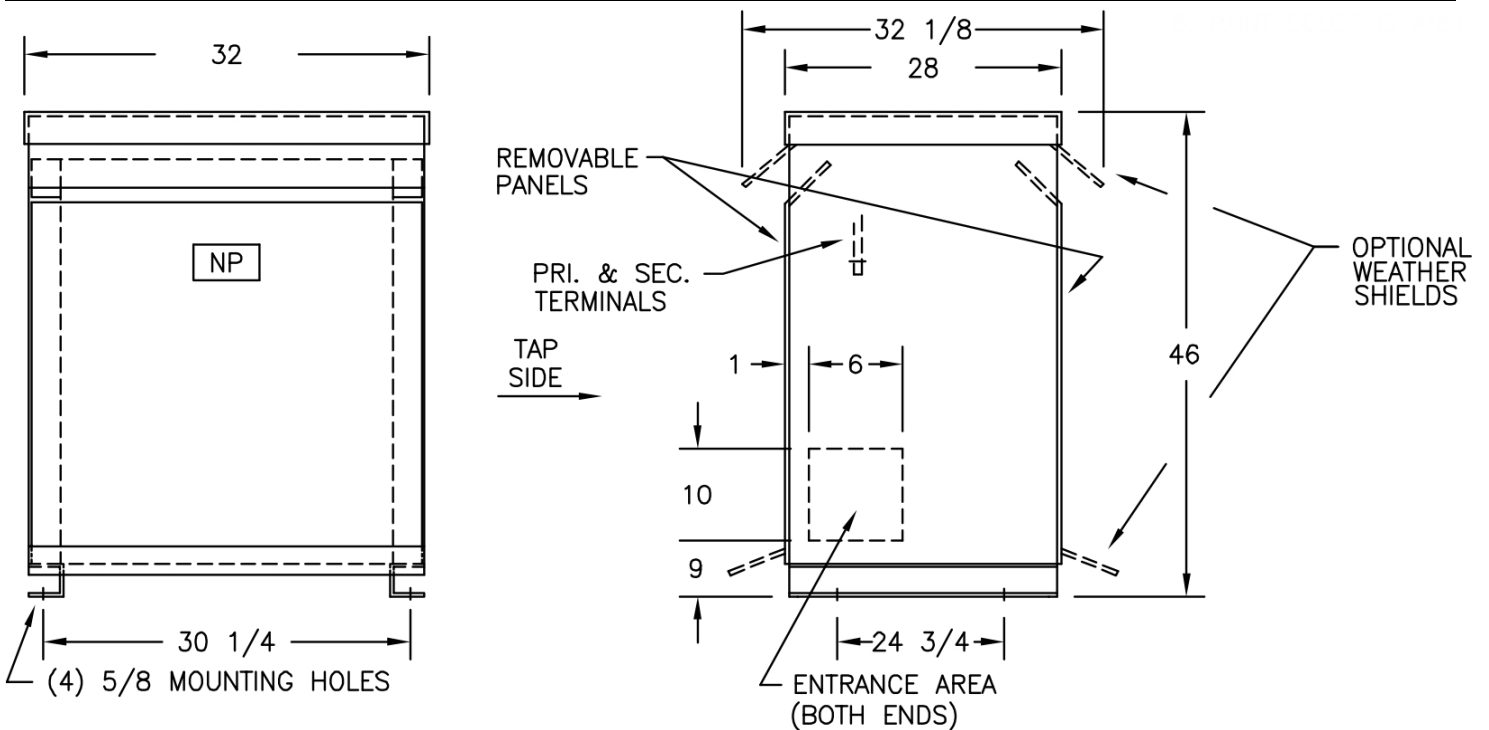
Typical Performance @ 170° C	
Regulation @ 100% PF	2.4%
Regulation @ 80% PF	3.9%
Impedance	4.1%
No Load Losses (W)	200
Full Load Losses (W)	2,635

AMP Ratings	
Line In (Primary) @ 480V	135 A
Load (Secondary) @ 208V	311 A



**Notes**

All units are UL listed and are designed in accordance with applicable NEMA, ANSI and IEEE standards. Transformers are dry-type AA, ventilated NEMA 2 enclosure. If a weathershield is indicated above this transformer can be converted to a NEMA 3R enclosure. Transformers are floor mounted. Wall mounting bracket kit if shown above is optional and is supplied as a separate accessory. Paint color is ANSI 61.



Outline No: 08A7673