

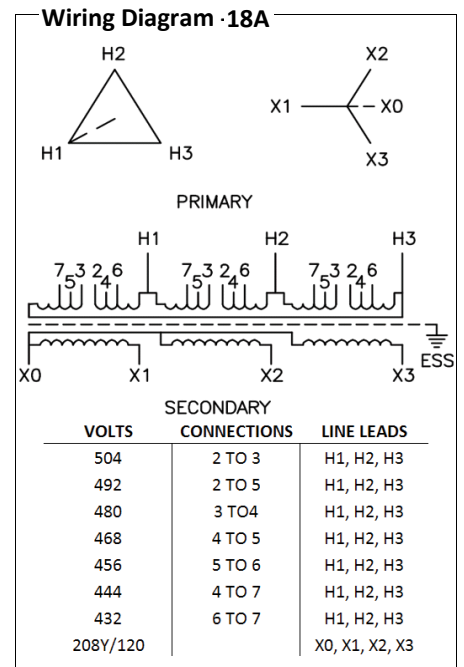
Typical Performance Technical Data Sheet



Catalog No T48SH2Y-300-K20

Characteristics	
Phase	3
KVA	300
Primary	480Δ
Secondary	208Y/120
Conductor	Aluminum
Temp. Rise	150° C
Frequency	60 HZ
Taps	+2, -4 x 2.5%
ESS	Yes
Insulation	220° C
Weathershield	WS-16
Wall Bracket	NONE
Weight (lbs)	3340
Sound (dB)	58

Typical Performance @ 170° C	
Regulation @ 100% PF	0.9%
Regulation @ 80% PF	2.3%
Impedance	2.7%
No Load Losses (W)	754
Full Load Losses (W)	2,613

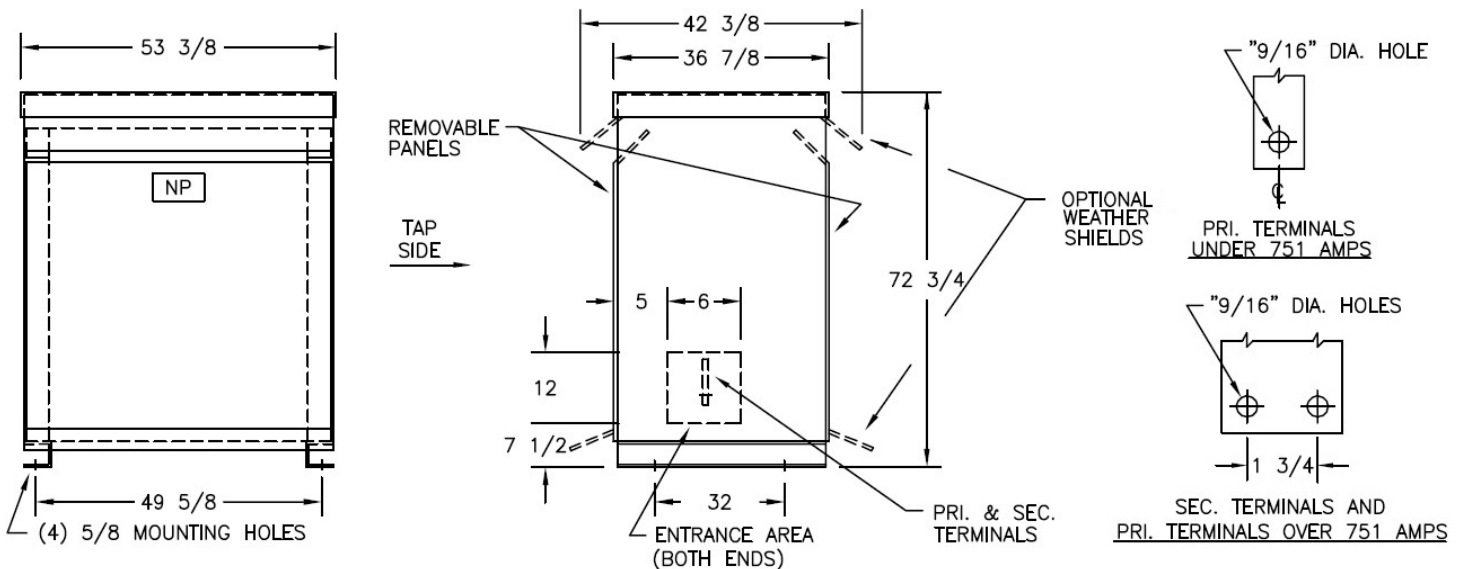


AMP Ratings

Line In (Primary) @ 480V	361 A
Load (Secondary) @ 208V	833 A

Notes

All units are UL listed and are designed in accordance with applicable NEMA, ANSI and IEEE standards.
Transformers are dry-type AA, ventilated NEMA 2 enclosure.
If a weathershield is indicated above this transformer can be converted to a NEMA 3R enclosure.
Transformers are floor mounted. Wall mounting bracket kit if shown above is optional and is supplied as a separate accessory.
Paint color is ANSI 61.



Outline No: 08A3228

Meets 10 CFR 431(DOE 2016) Efficiency
Dry Type Transformer General Purpose

© 2017 Electro-Mechanical Corporation

For reference only
Subject to change without notice