

Typical Performance Technical Data Sheet

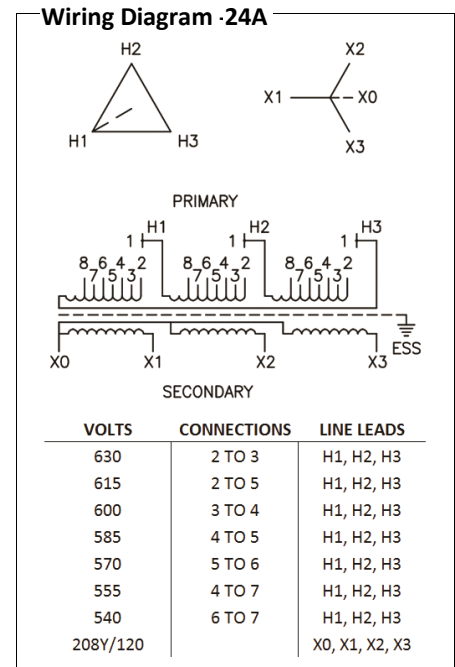


Catalog No. T60SF2Y-300

Characteristics	
Phase	3
KVA	300
Primary	600Δ
Secondary	208Y/120
Conductor	Aluminum
Temp. Rise	115° C
Frequency	60 HZ
Taps	+2, -4 x 2.5%
ESS	Yes
Insulation	220° C
Weathershield	WS-16
Wall Bracket	NONE
Weight (lbs)	2275
Sound (dB)	55

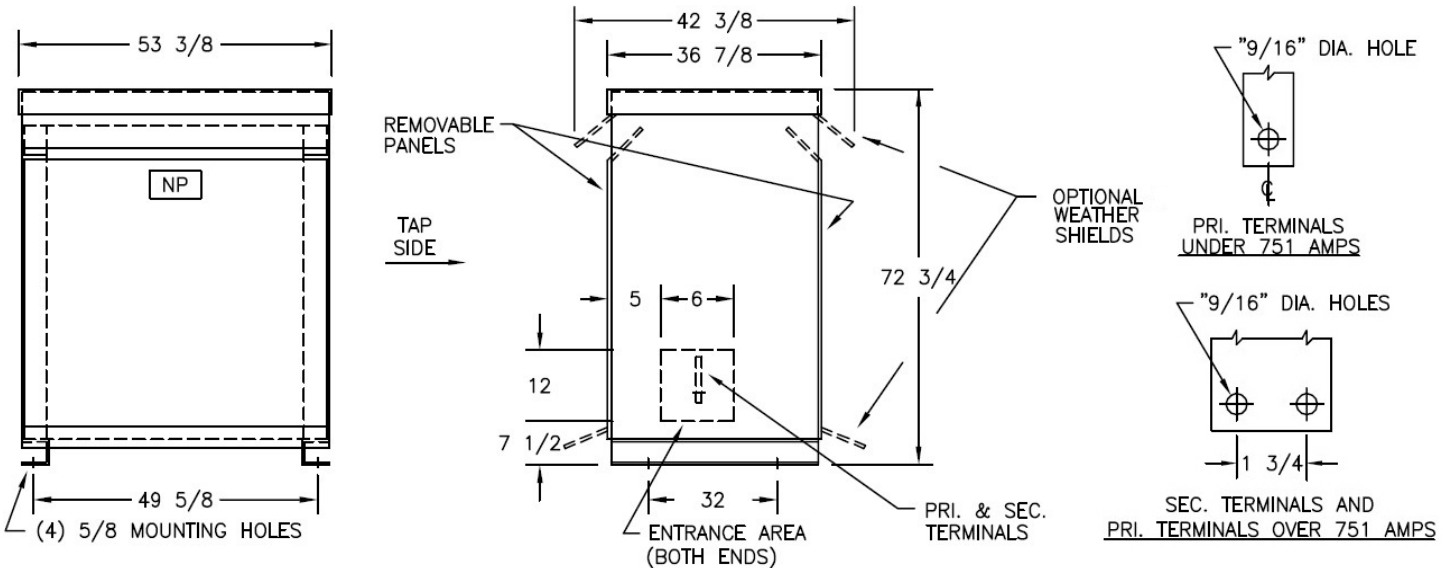
Typical Performance @ 135° C	
Regulation @ 100% PF	1.7%
Regulation @ 80% PF	4.4%
Impedance	5.4%
No Load Losses (W)	500
Full Load Losses (W)	4,606

AMP Ratings	
Line In (Primary) @ 600V	289 A
Load (Secondary) @ 208V	833 A



Notes

All units are UL listed and are designed in accordance with applicable NEMA, ANSI and IEEE standards. Transformers are dry-type AA, ventilated NEMA 2 enclosure. If a weathershield is indicated above this transformer can be converted to a NEMA 3R enclosure. Transformers are floor mounted. Wall mounting bracket kit if shown above is optional and is supplied as a separate accessory. Paint color is ANSI 61.



Outline No: 08A3228